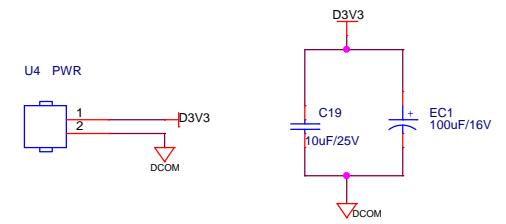
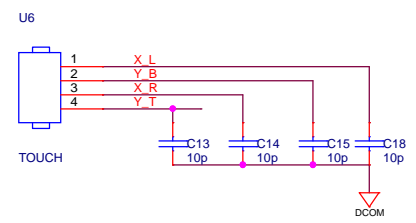
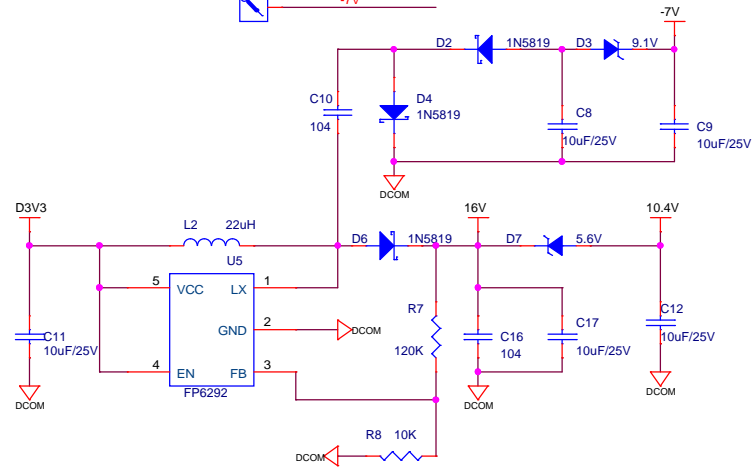
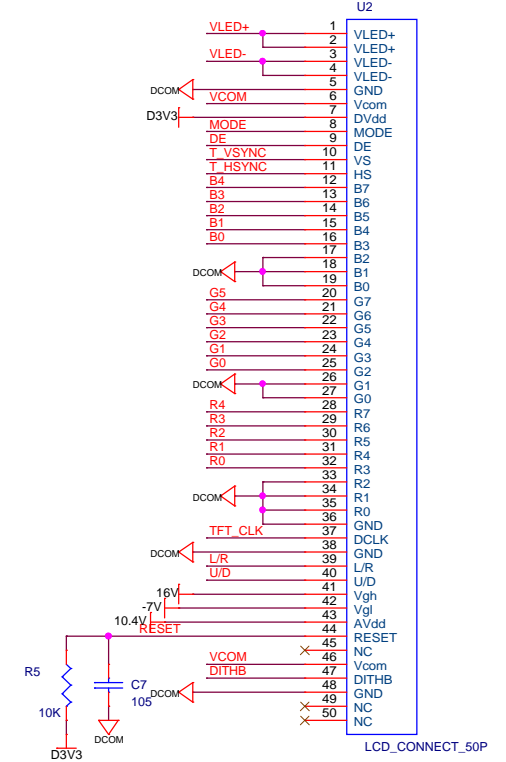
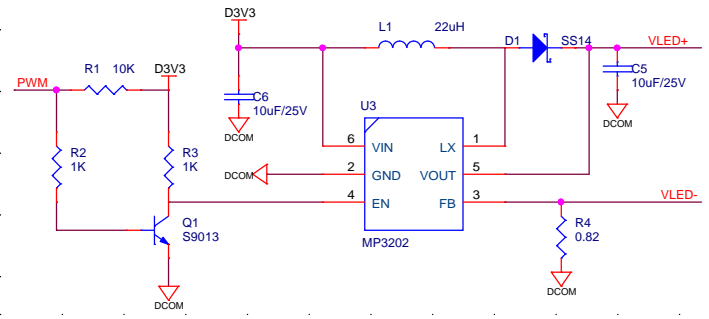
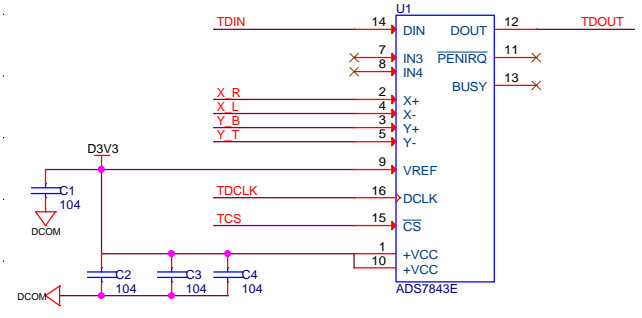
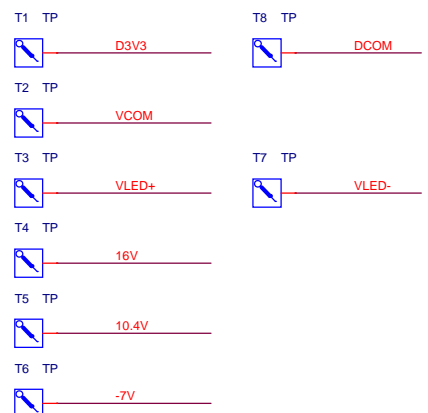
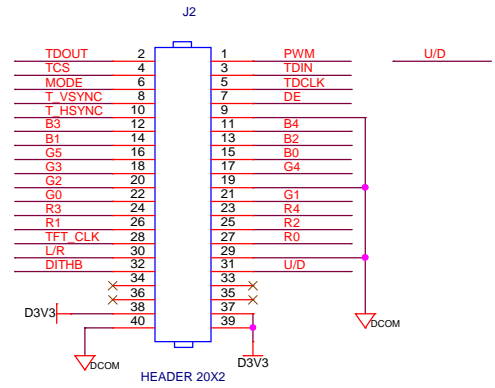
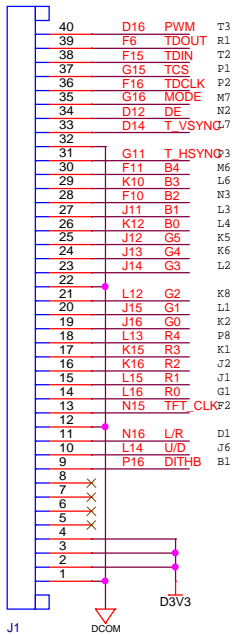


FPC\_40P



Title	<Title>
Size	B
Document Number	<Doc>
Date	Thursday, August 04, 2016
Sheet	1 of 1
Rev	<Rev Code>