

Block Diagram

iCore3 双核心工控板

银杏公司出品

GINGKO Technology Co.,Ltd.

E-mail: gingko@vip.163.com

Tel: 0379-69926675 15516367209

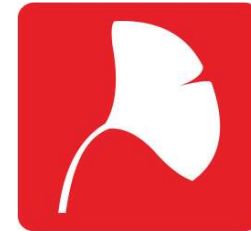
<http://iCore.taobao.com> (点击进入)

NOTES:

1. Notes here.

REV	DATE	PAGES	DESCRIPTION
0.0.0	09/04/2015	ALL	Created

PAGES	DESCRIPTION
0	Title, Note, Block Diagram, Revision History
1	-----
2	-----
3	-----
4	-----
5	-----
6	-----
7	-----
8	-----
9	-----
A	-----
B	-----
C	-----
D	-----
E	-----
F	-----
10	-----
11	-----
12	-----
13	-----



Engineer: XiaomaGee

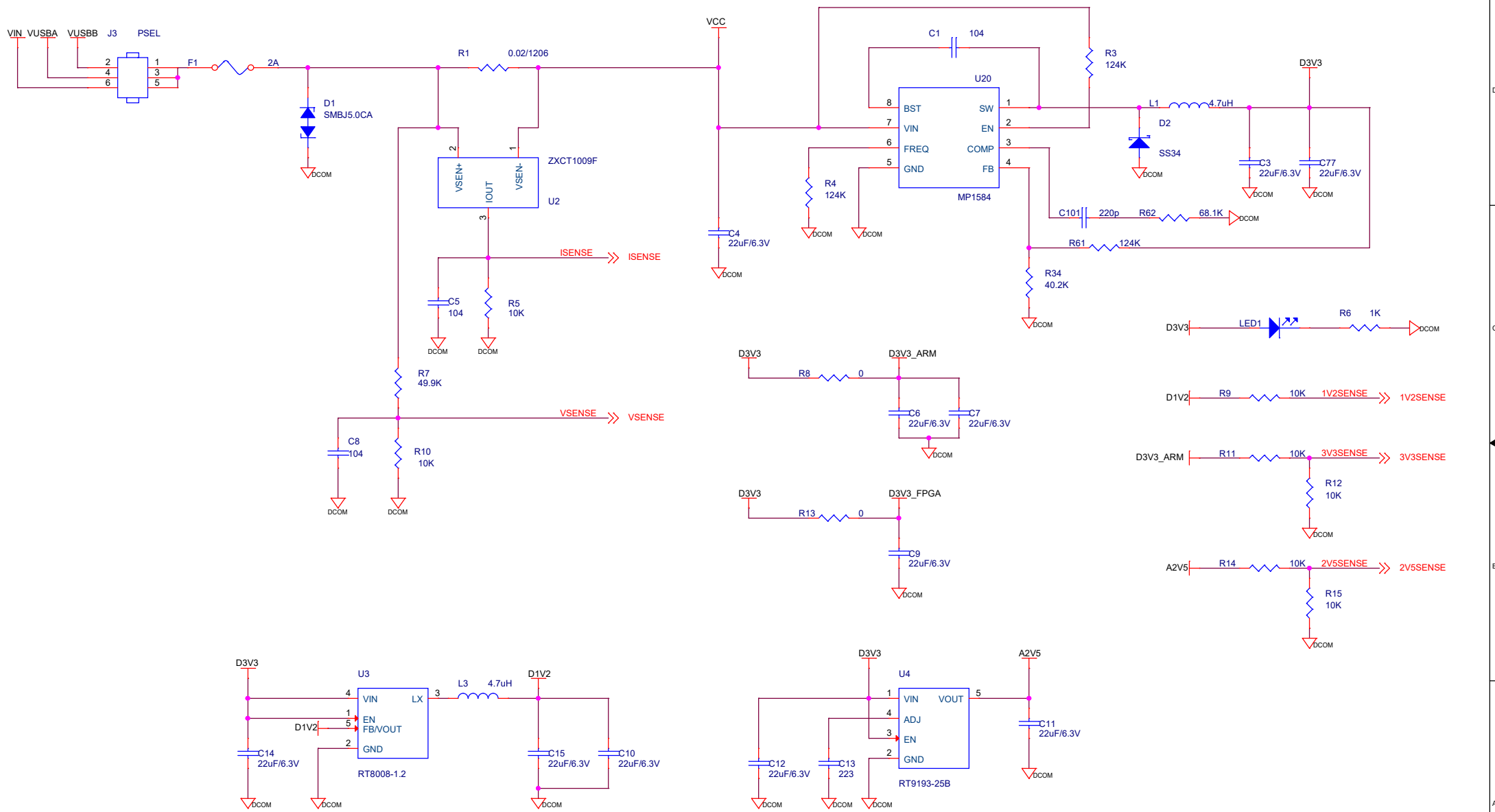
Engineer: -----

GINGKO Technology Co.,Ltd.

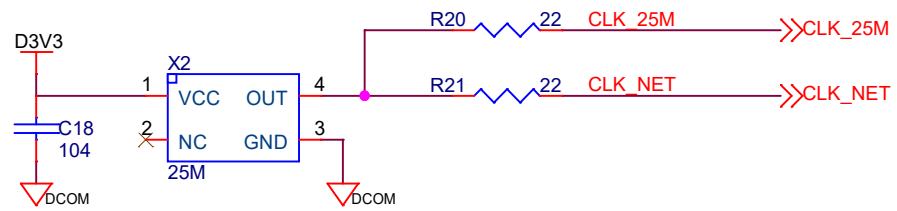
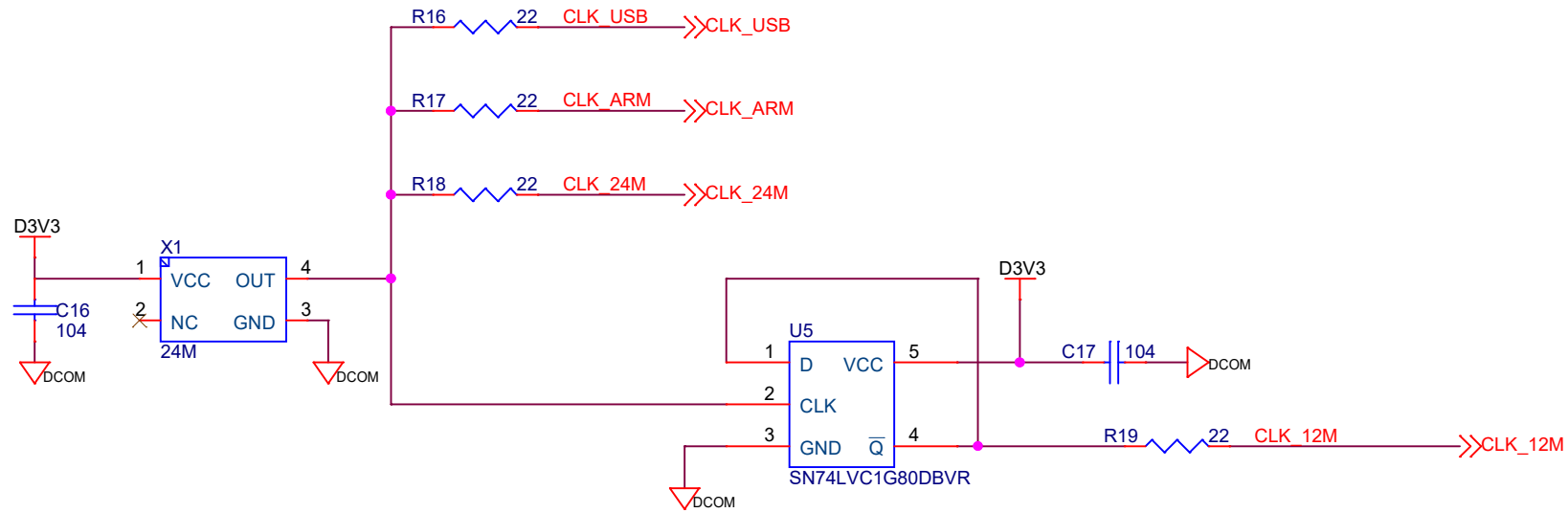
Title: -----

Size	Document Number	Rev
B	0_Title	0.0.0

Date: Friday, August 25, 2017 Sheet 1 of 9

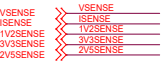


GINGKO Technology Co.,Ltd.		
Title		
iCore3		
Size	Document Number	Rev
B	1_Power	0
Date:	Friday, August 25, 2017	Sheet 2 of 9

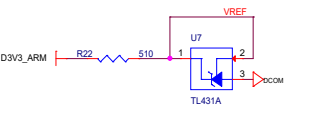


GINGKO Technology Co.,Ltd.

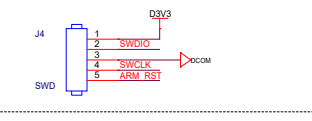
Title		
iCore3		
Size	Document Number	Rev
A	2_CLOCK	0
Date:	Friday, August 25, 2017	Sheet 3 of 9



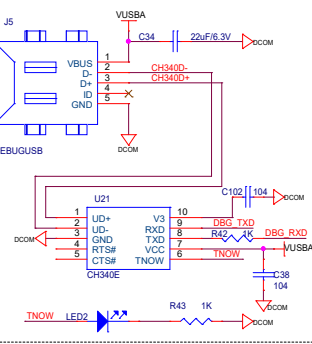
Voltage Reference



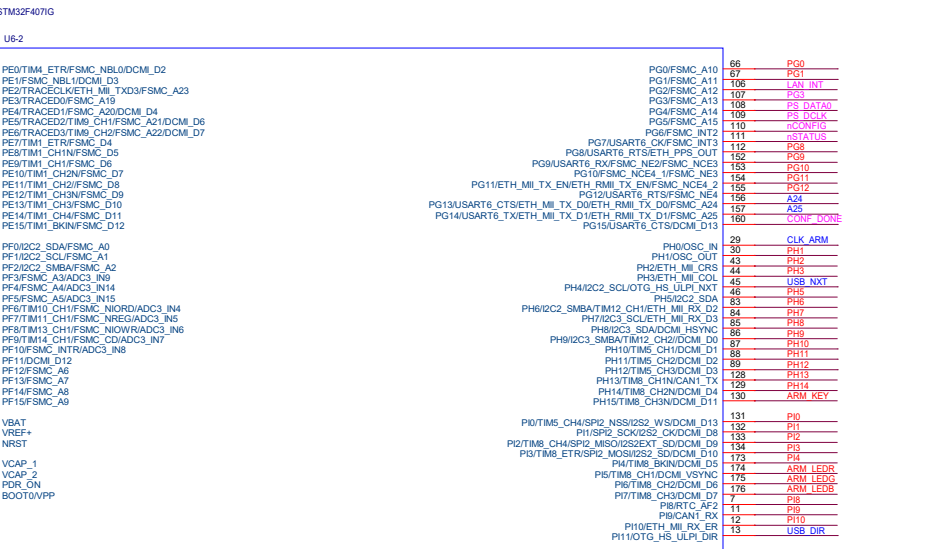
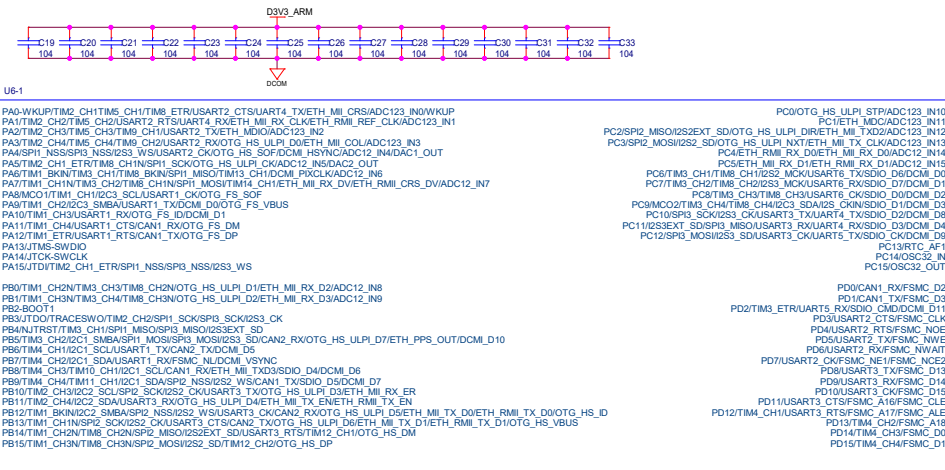
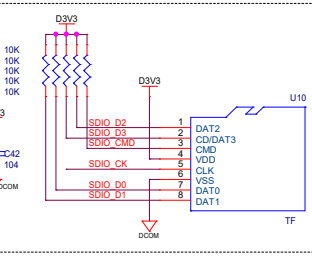
ARM Debug



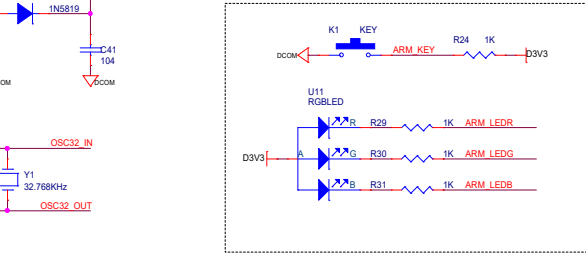
Debug UART



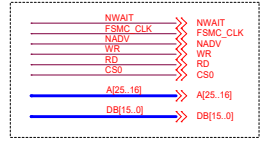
TF Card



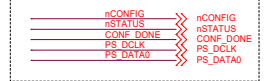
KEY & LED



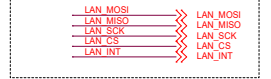
FSMCC



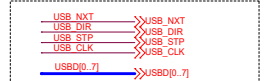
PS Signal



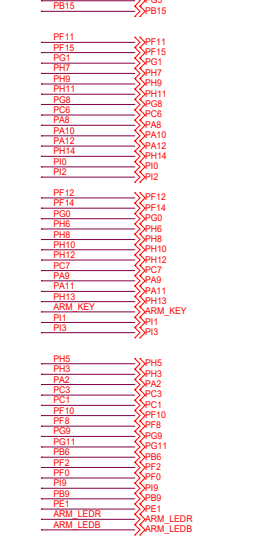
Ethernet



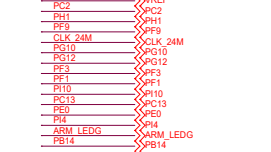
USB OTG HS



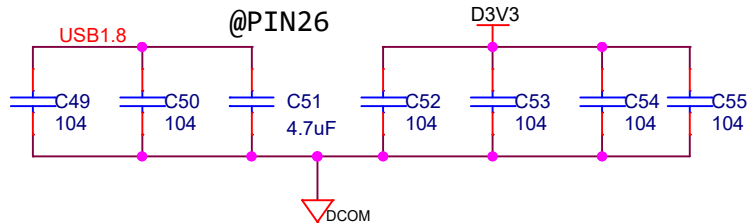
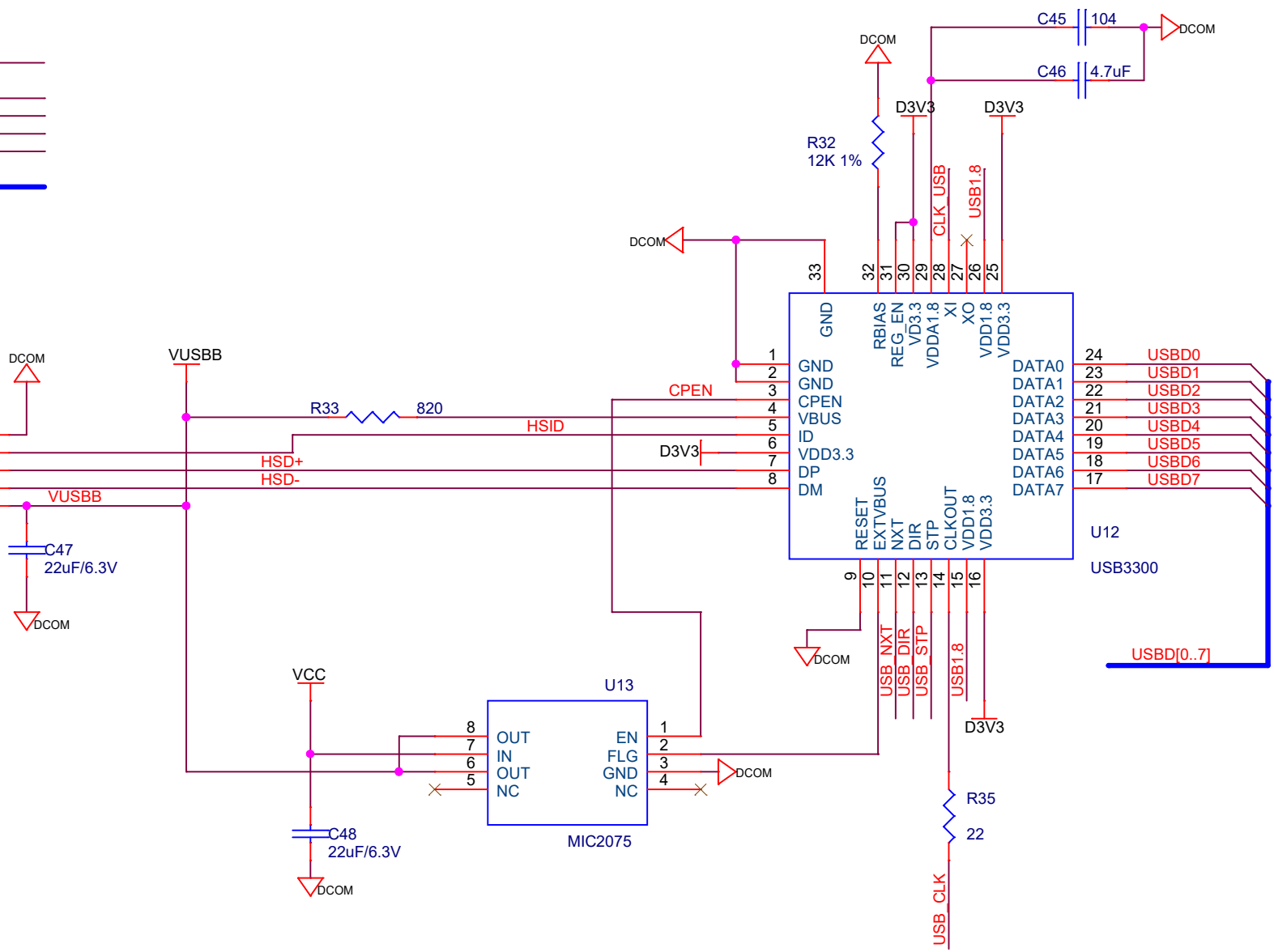
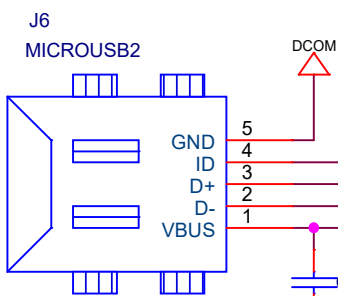
IO 68



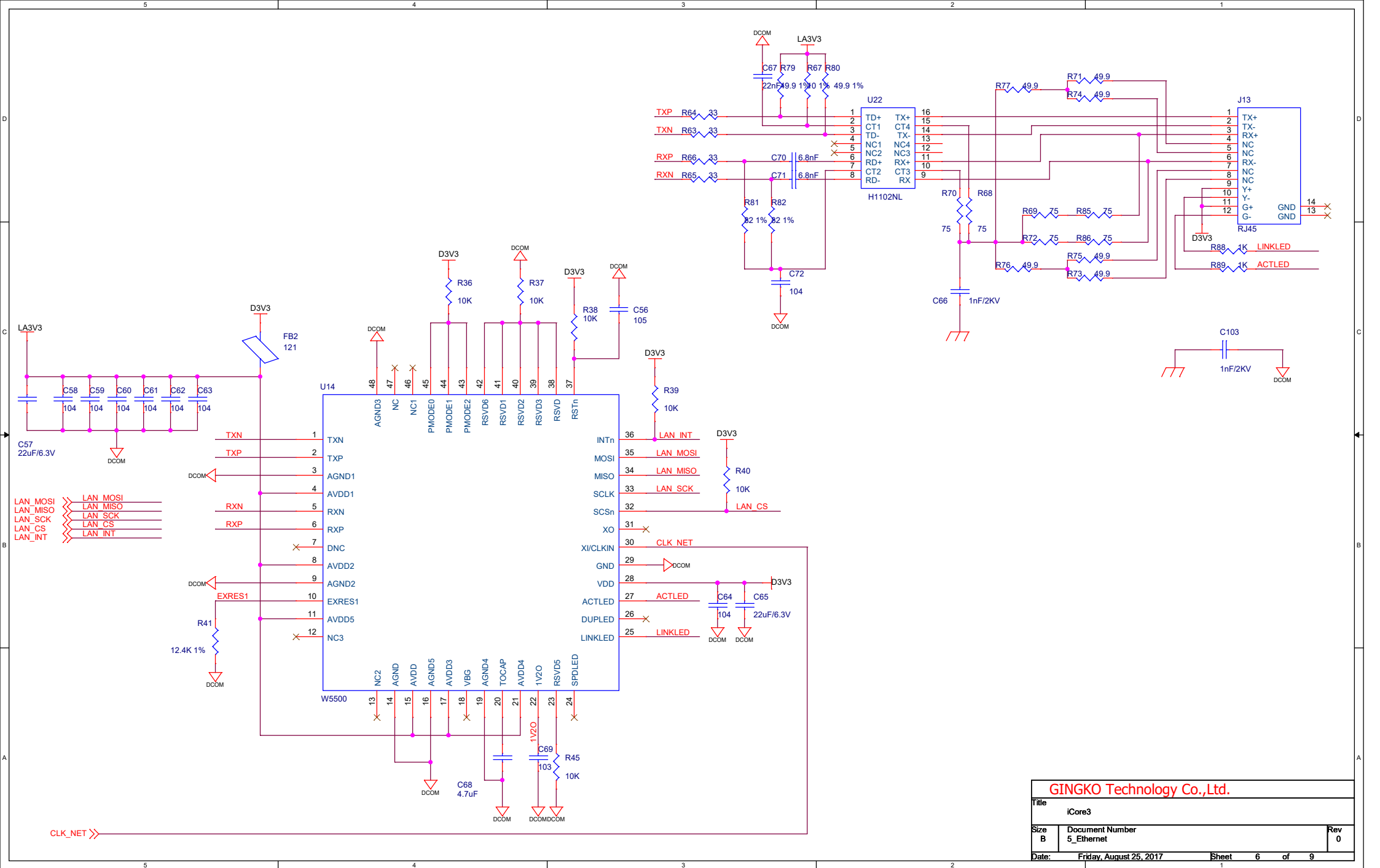
IO 68



CLK_USB >> CLK_USB
 USB_NXT >> USB_NXT
 USB_DIR >> USB_DIR
 USB_STP >> USB_STP
 USB_CLK >> USB_CLK
 USBD[0..7] >> USBD[0..7]

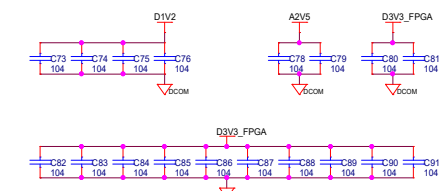
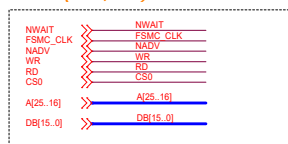


GINGKO Technology Co.,Ltd.		
Title iCore3		
Size A	Document Number 4_USB_HS	Rev 0
Date: Friday, August 25, 2017	Sheet 5	of 9

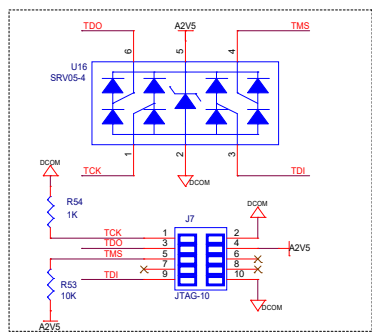


GINGKO Technology Co.,Ltd.		
Title		
iCore3		
Size	Document Number	Rev
B	5_Ethernet	0
Date:	Friday, August 25, 2017	Sheet 6 of 9

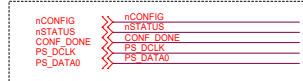
FSMC (32 I/O'S)



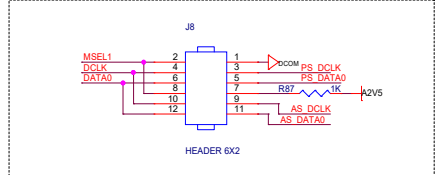
FPGA JTAG



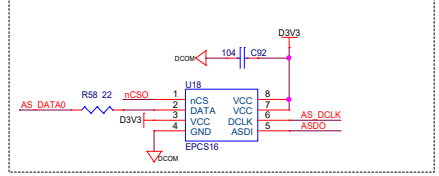
PS Signal



Config Select



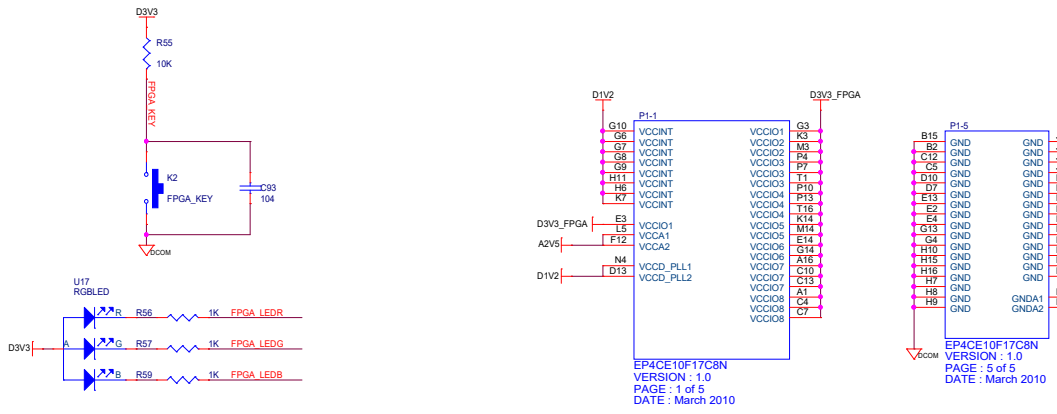
AS Config



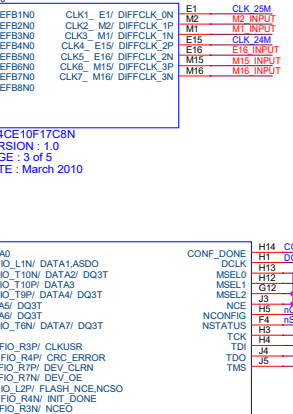
P1-2		P1-3		P1-4	
B1	B1	F3	F3	E1	E1
FPGA_KEY	D2	L3	L3	M2	M2
D1	D1	P6	P6	M1	M1
D4	D4	SD_CKE	P11	CLK2_M2	DIFFCLK_1P
D5	D5	L14	L14	CLK3_M1	DIFFCLK_1N
F1	F1	FSMC_CLK	F14	CLK4_E15	DIFFCLK_2P
F2	F2	D85	C11	CLK5_E16	DIFFCLK_2N
G1	G1	A16	G8	CLK6_M15	DIFFCLK_3P
G2	G2			CLK7_M16	DIFFCLK_3N
G6	G6				
G5	G5				
K5	K5				
L4	L4				
J1	J1				
J2	J2				
J6	J6				
K1	K1				
K2	K2				
K6	K6				
L1	L1				
L2	L2				
L6	L6				
N1	N1				
N2	N2				
P1	P1				
P2	P2				
R1	R1				
SD_CLK	R4				
SD_A3	T4				
K8	K8				
L7	L7				
SD_A5	L7				
M5	M5				
M6	M6				
M7	M7				
SD_A5	M8				
N3	N3				
N5	N5				
SD_A4	N8				
N6	N6				
P3	P3				
P8	P8				
R3	R3				
SD_A2	R5				
SD_A4	R6				
SD_BA1	R7				
SD_CS	R8				
T2	T2				
T3	T3				
SD_A1	T5				
SD_A10	T6				
SD_BA0	T7				
SD_RAS	T8				
SD_A11	M10				
SD_DQ1	N11				
K10	K10				
SD_D8	K9				
L11	L11				
SD_A7	L9				
SD_D10	M11				
SD_A9	M9				
SD_D11	N12				
SD_A8	N9				
SD_D13	P14				
SD_CAS	P9				
SD_D6	R10				
SD_D4	R11				
SD_D2	R12				
R16	R13				
R14	R14				
SD_DQ0	R8				
SD_D7	T10				
SD_D5	T11				
SD_D3	T12				
SD_D1	T13				
T14	T14				
T15	T15				
SD_WE	T9				

EP4CE10F17C8N
VERSION : 1.0
PAGE : 2 of 5
DATE : March 2010

IO 105

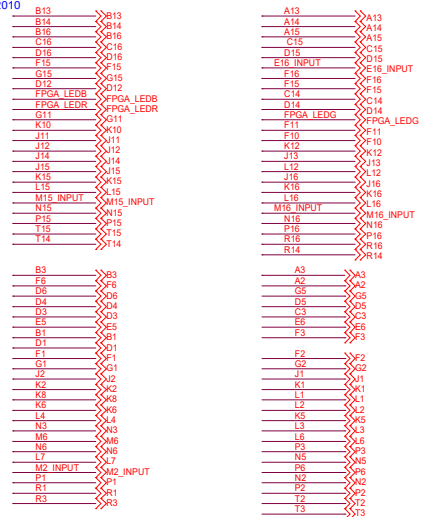


EP4CE10F17C8N
VERSION : 1.0
PAGE : 1 of 5
DATE : March 2010

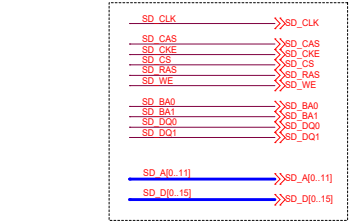


EP4CE10F17C8N
VERSION : 1.0
PAGE : 3 of 5
DATE : March 2010

EP4CE10F17C8N
VERSION : 1.0
PAGE : 4 of 5
DATE : March 2010



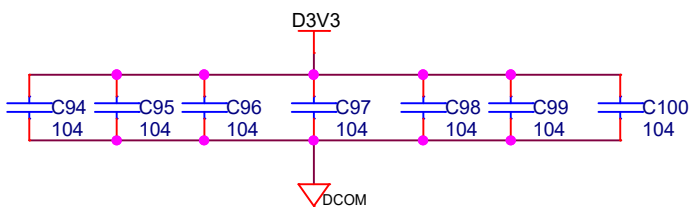
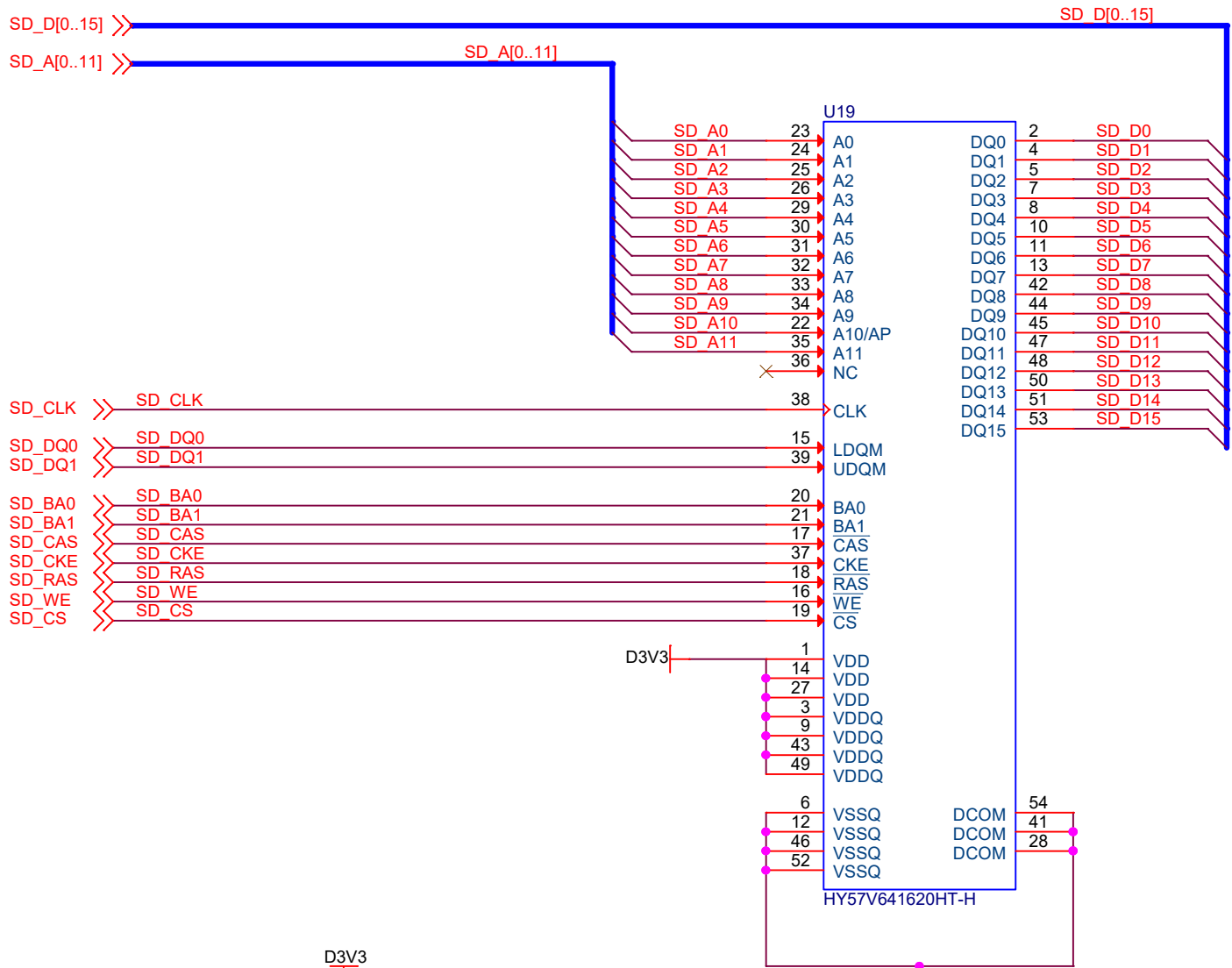
SDRAM (38 I/O'S)



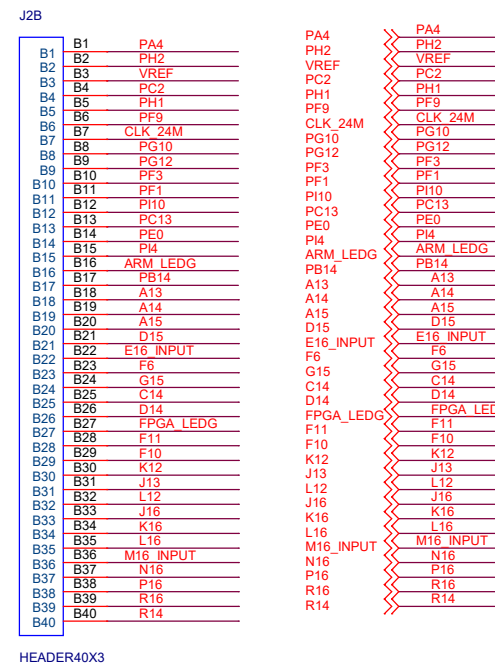
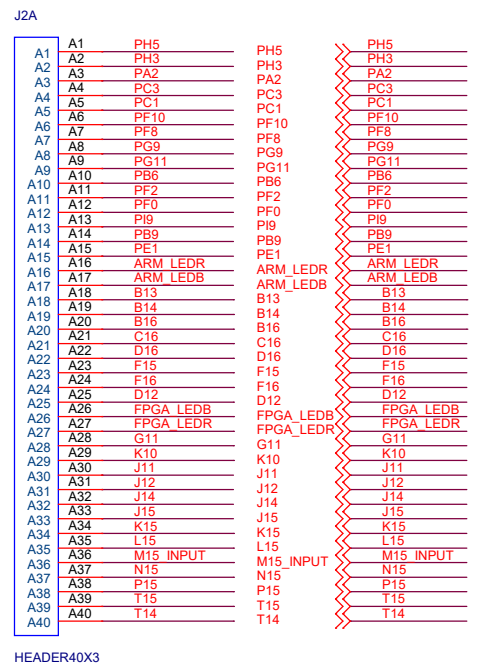
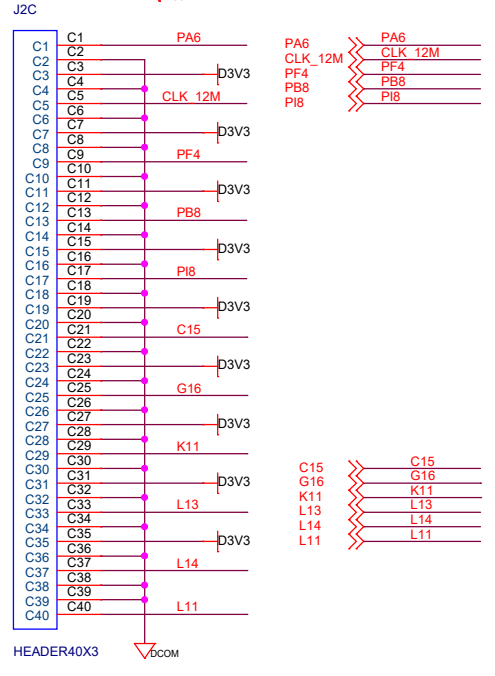
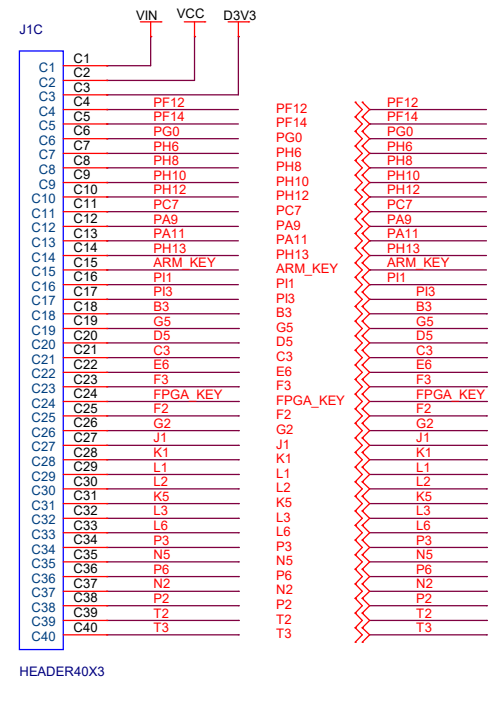
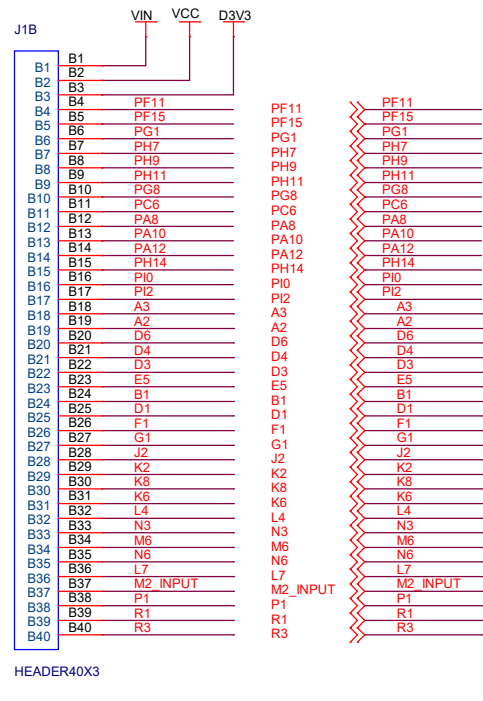
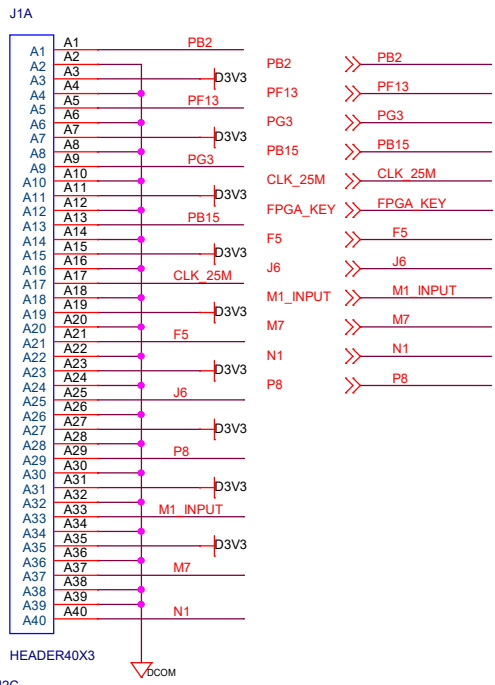
EP4CE10F17C8N
VERSION : 1.0
PAGE : 5 of 5
DATE : March 2010

GINGKO Technology Co., Ltd.

Title	iCom3	
Size	Document Number	Rev
C	6_FPGA	0
Date:	Friday, August 25, 2017	Sheet 7 of 8



GINGKO Technology Co.,Ltd.		
Title		
iCore3		
Size	Document Number	Rev
A	7_SDRAM	0
Date:	Friday, August 25, 2017	Sheet 8 of 9



GINGKO Technology Co.,Ltd.

Title		iCore3
Size	Document Number	Rev
B	8_Connector	0
Date:	Friday, August 25, 2017	Sheet 9 of 9