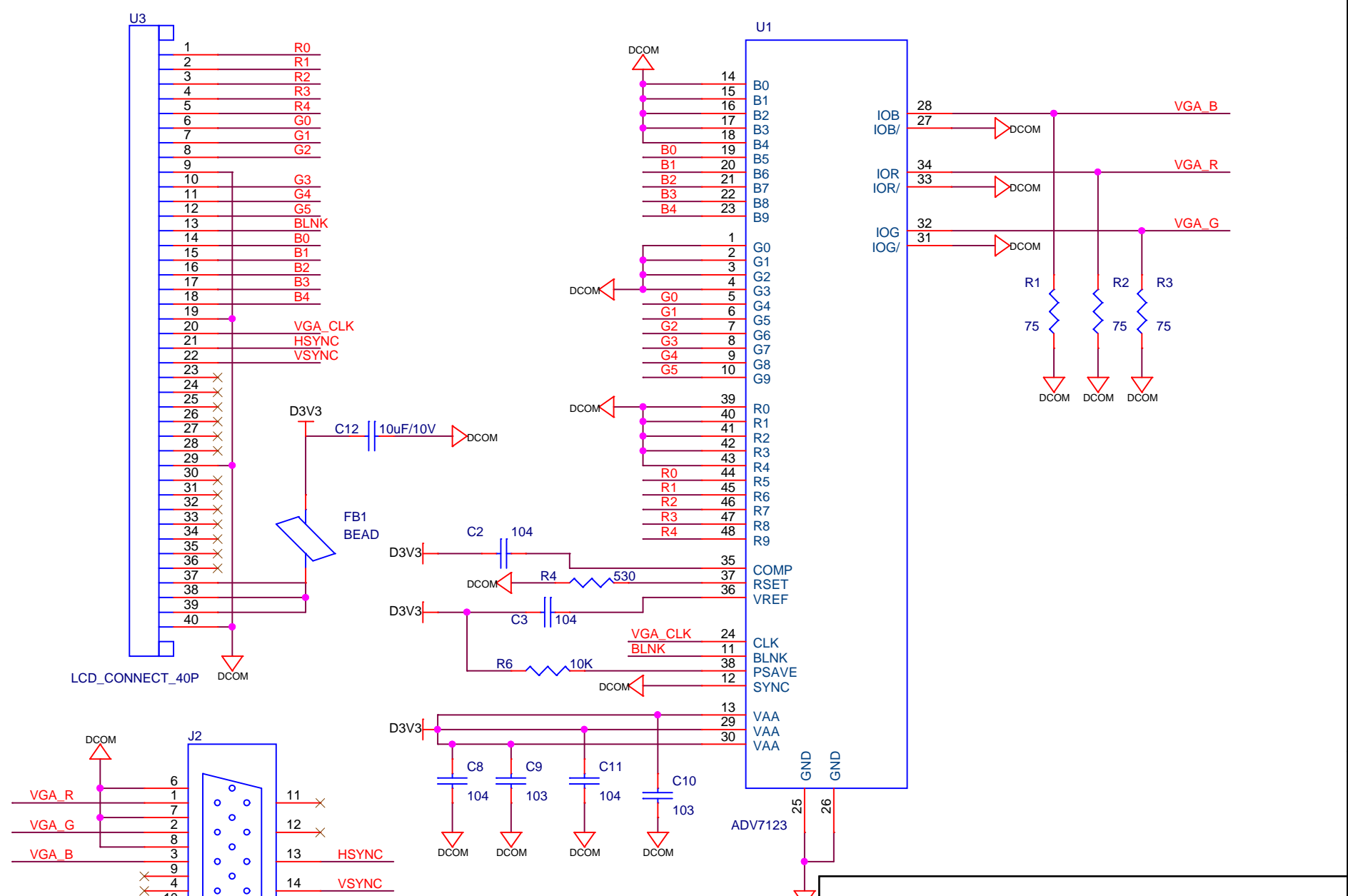


D
C
B
A



Title		
<Title>		
Size	Document Number	Rev
A	<Doc>	0
Date: Saturday, July 09, 2016		
Sheet 1 of 1		