

# Block Diagram

## iCore3L双核心工控板

银杏公司出品

GINGKO Technology Co.,LTd.

E-mail: [gingko@vip.163.com](mailto:gingko@vip.163.com)

Tel: 0379-69926675 15516367209

<http://iCore.taobao.com> **(点击进入)**

REV	DATE	PAGES	DESCRIPTION
0.0.0	09/04/2015	ALL	Created

PAGES	DESCRIPTION
0	Title, Note, Block Diagram, Revision History
1	-----
2	-----
3	-----
4	-----
5	-----
6	-----
7	-----
8	-----
9	-----
A	-----
B	-----
C	-----
D	-----
E	-----
F	-----
10	-----
11	-----
12	-----
13	-----

### NOTES:

1. Notes here.



Engineer: XiaomaGee

Engineer: -----

GINGKO Technology Co.,Ltd.

Title

iCore3L

Size

Document Number

B

0\_Title

Rev

0

Date: Tuesday, November 24, 2020

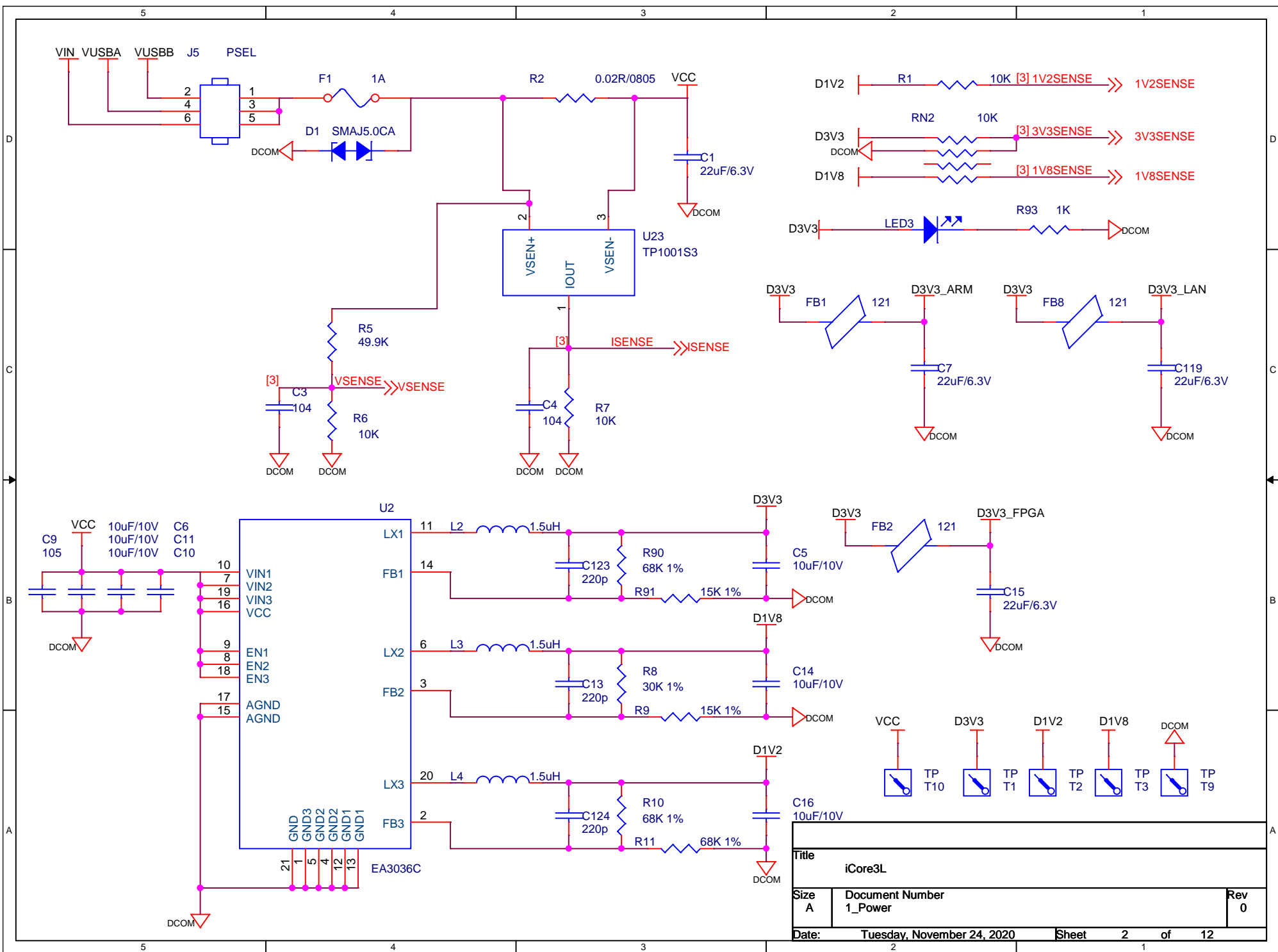
Sheet

1

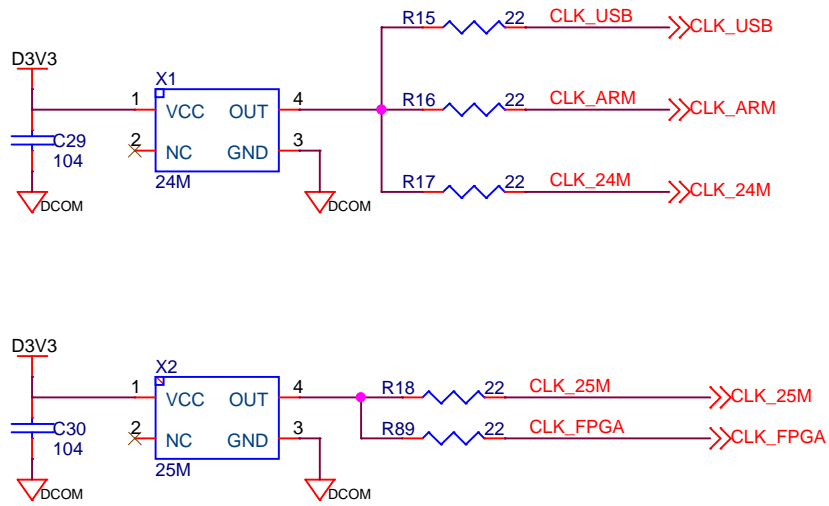
of

12

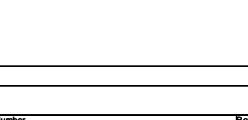
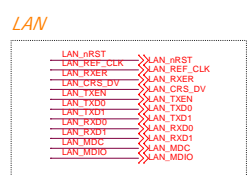
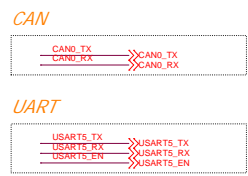
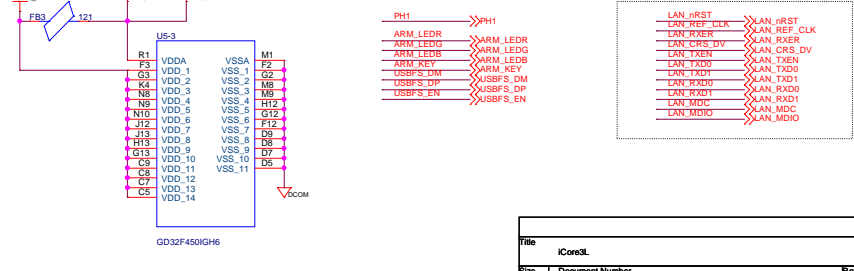
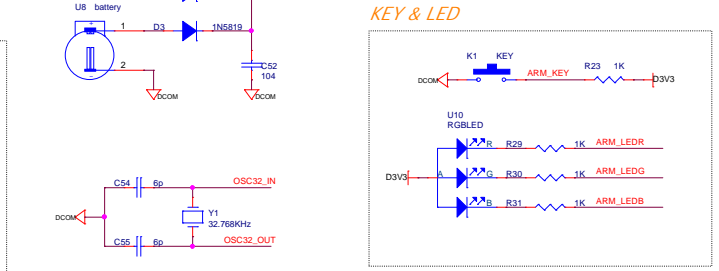
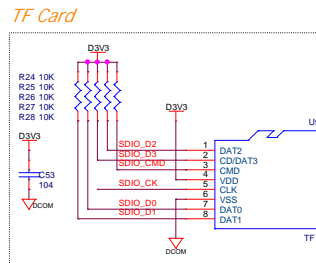
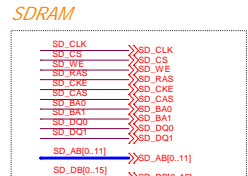
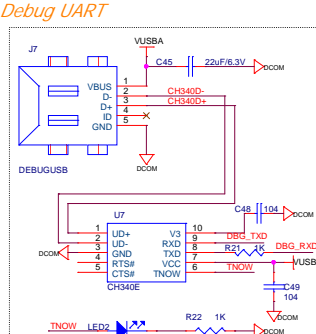
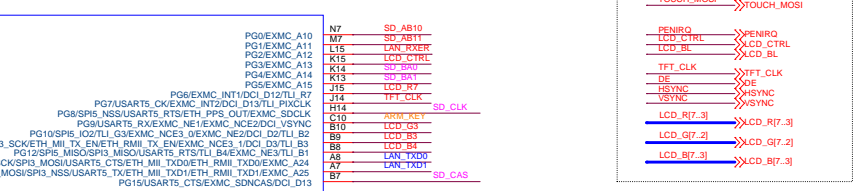
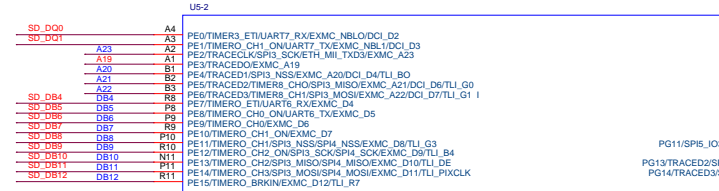
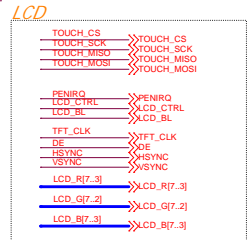
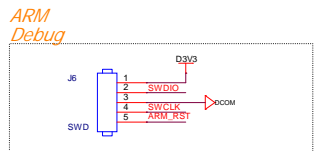
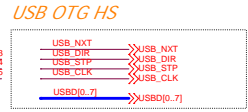
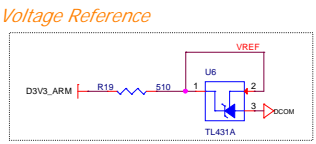
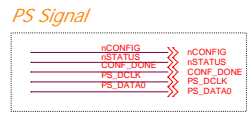
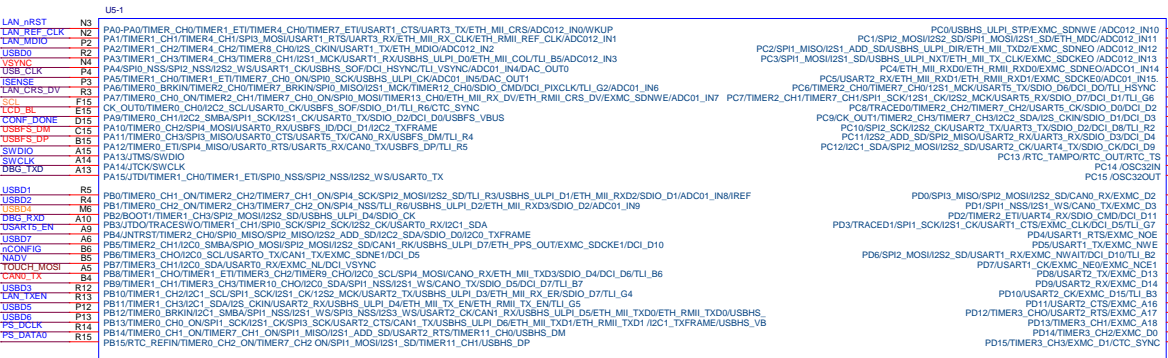
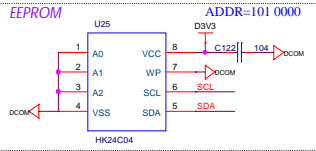
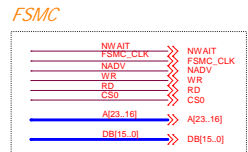
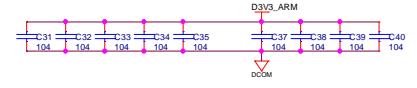
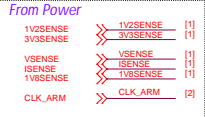
1



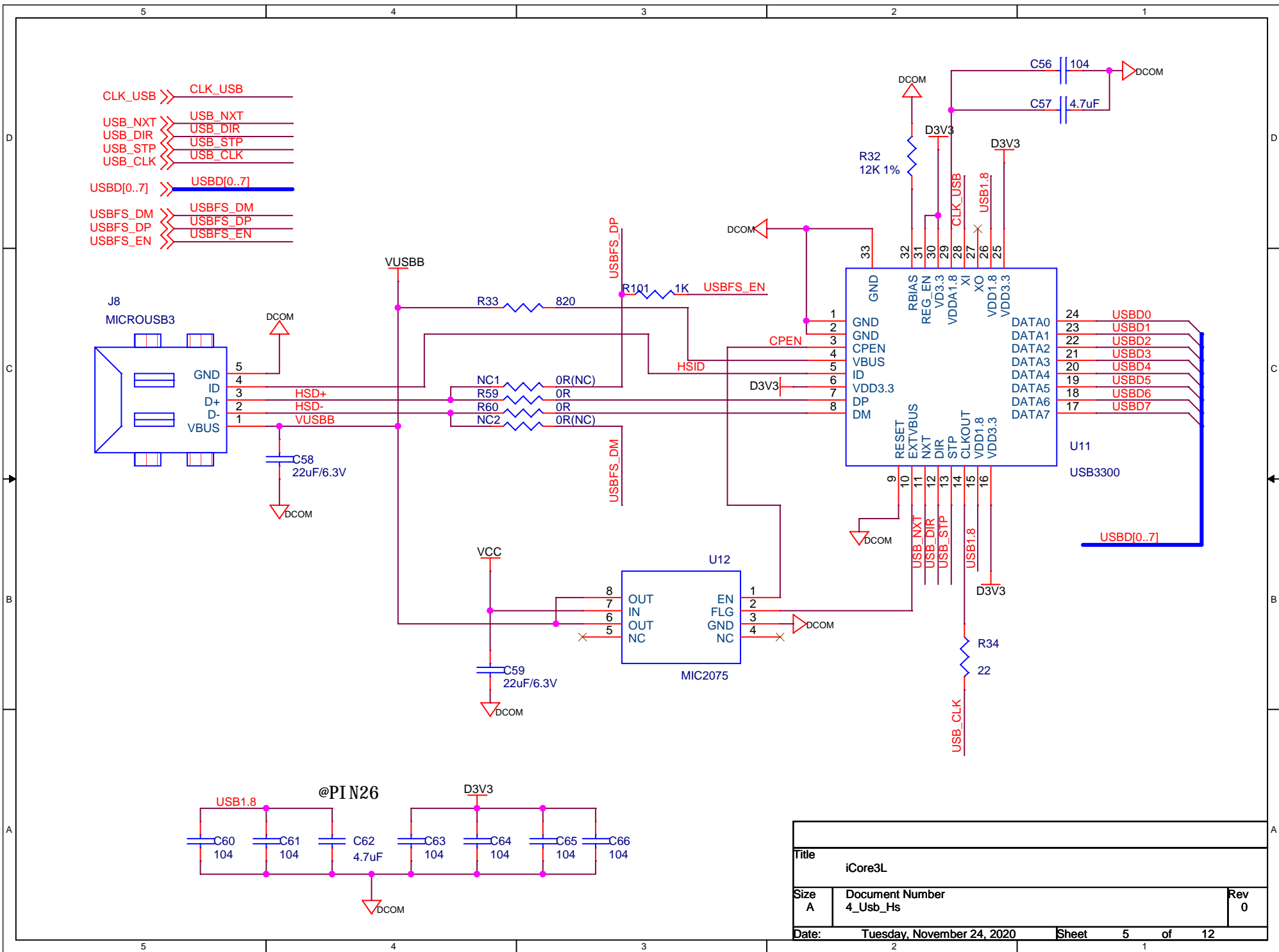
Title		
iCore3L		
Size	Document Number	Rev
A	1_Power	0
Date:	Tuesday, November 24, 2020	Sheet 2 of 12



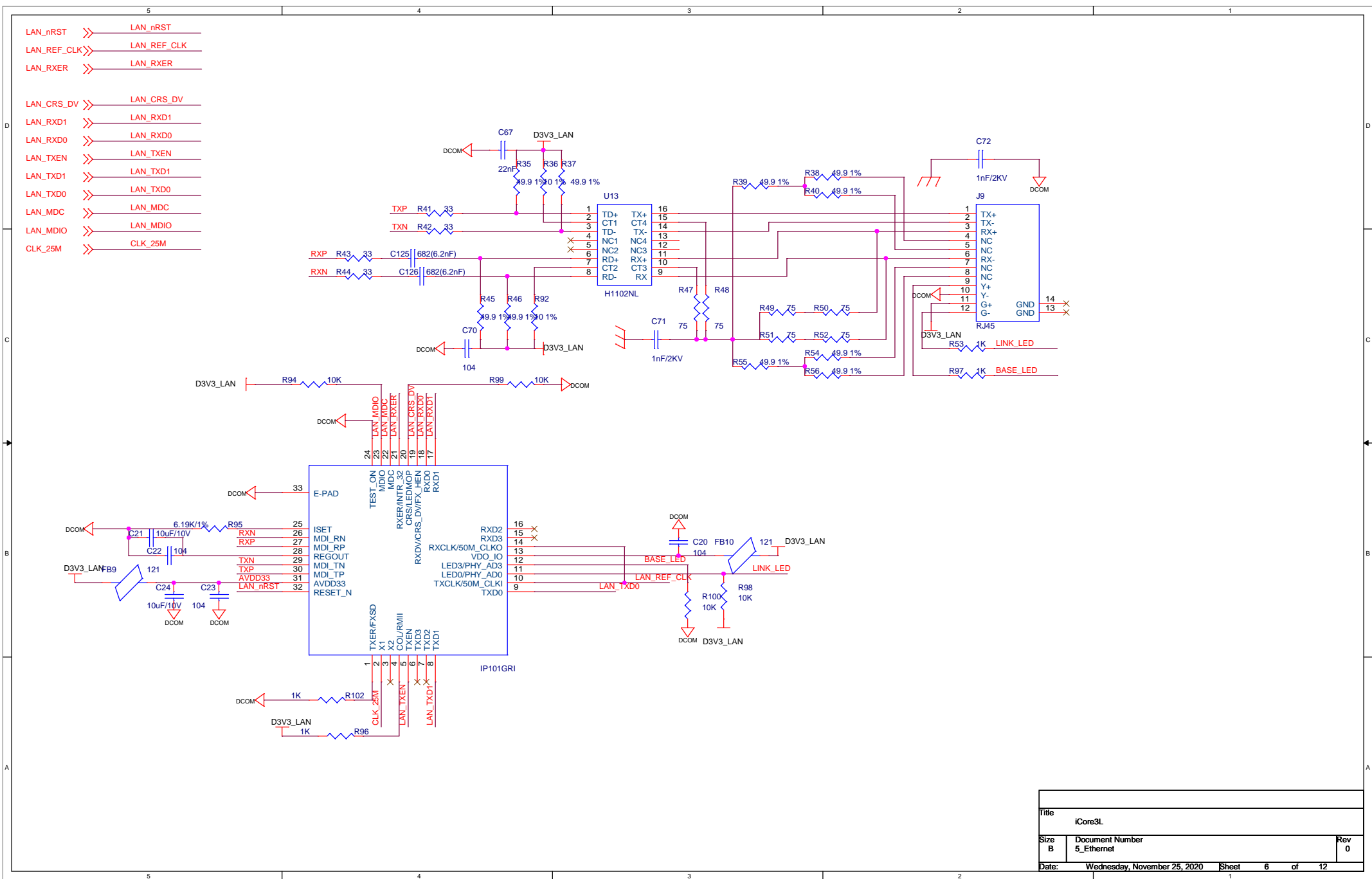
Title		
iCore3L		
Size	Document Number	Rev
A	2_Clock	0
Date:	Tuesday, November 24, 2020	Sheet 3 of 12



Title	iCore3L	Rev	0
Size	C	Document Number	3_GD32
Date	Tuesday, November 24, 2020	Sheet	4 of 12

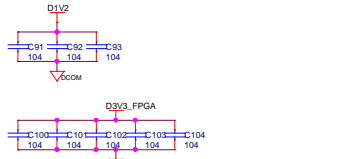
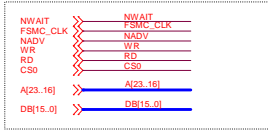


Title		
iCore3L		
Size	Document Number	Rev
A	4_Usb_Hs	0
Date:	Tuesday, November 24, 2020	Sheet 5 of 12

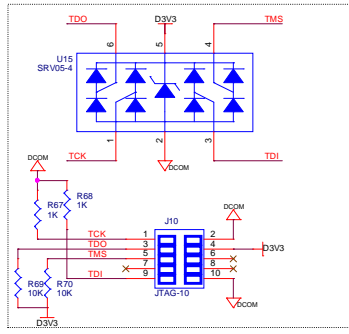


Title		
iCore3L		
Size	Document Number	Rev
B	5_Ethernet	0
Date:	Wednesday, November 25, 2020	Sheet 6 of 12

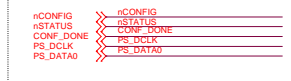
### FSMC (32 I/O'S)



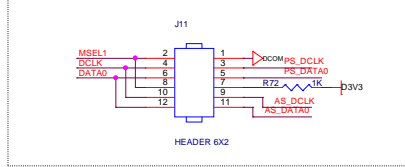
### FPGA JTAG



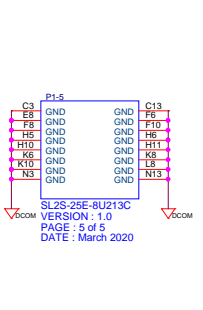
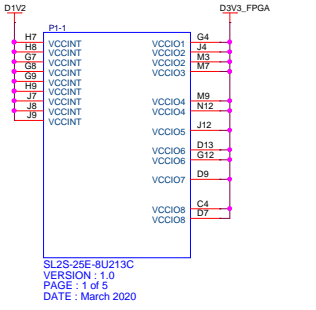
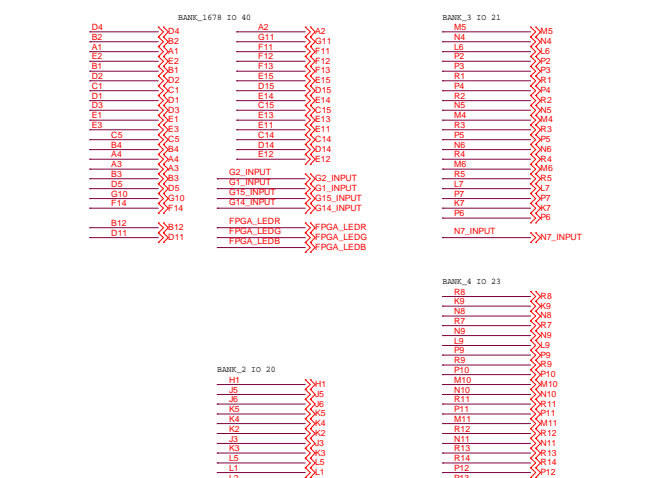
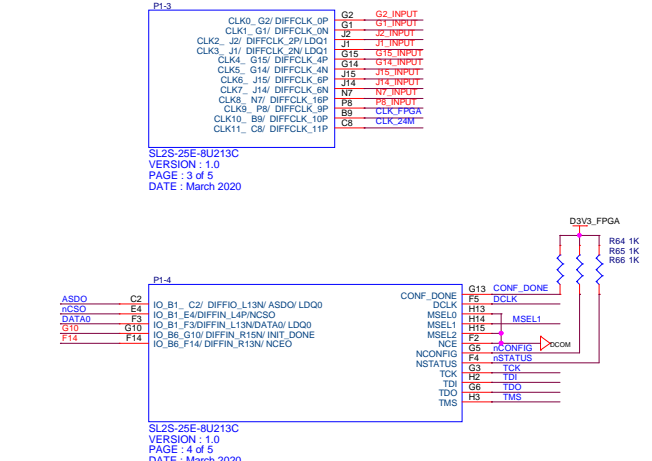
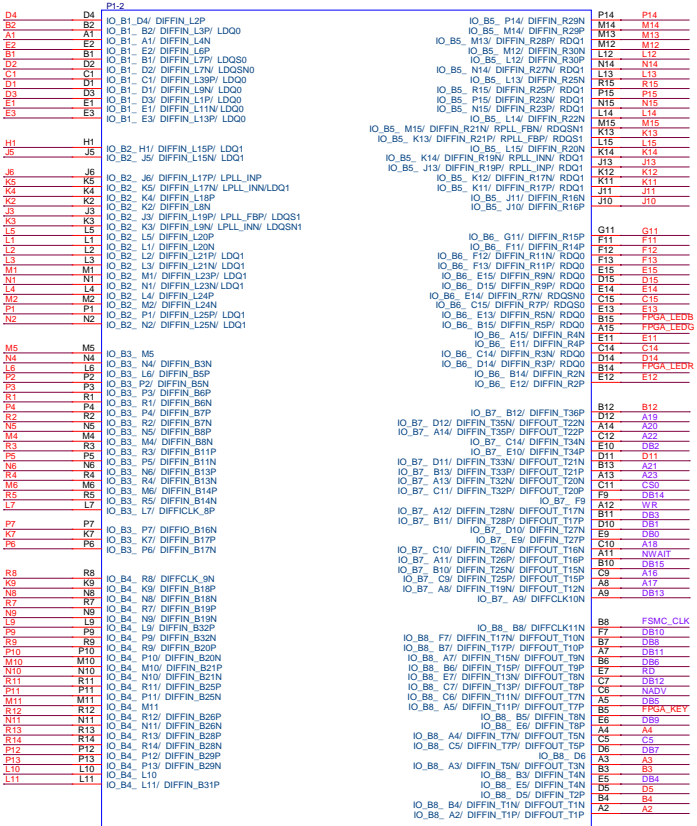
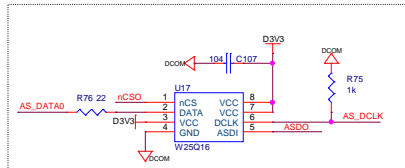
### PS Signal



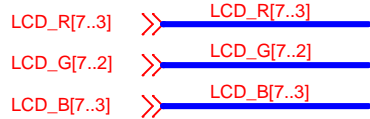
### Config Select



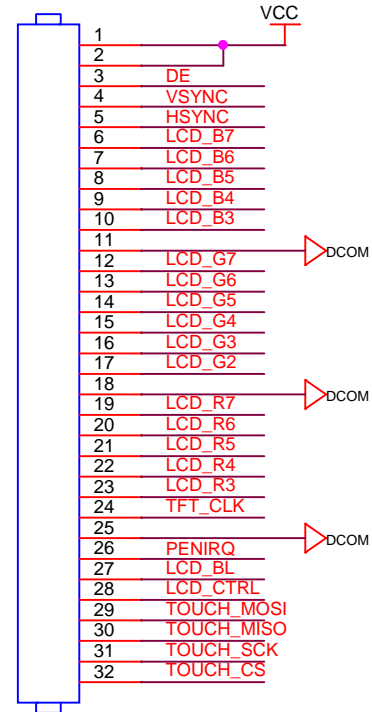
### AS Config



Title	iCore3L		
Size	Document Number	Rev	
C	6.Fpga	0	
Date:	Tuesday, November 24, 2020	Sheet	7 of 12



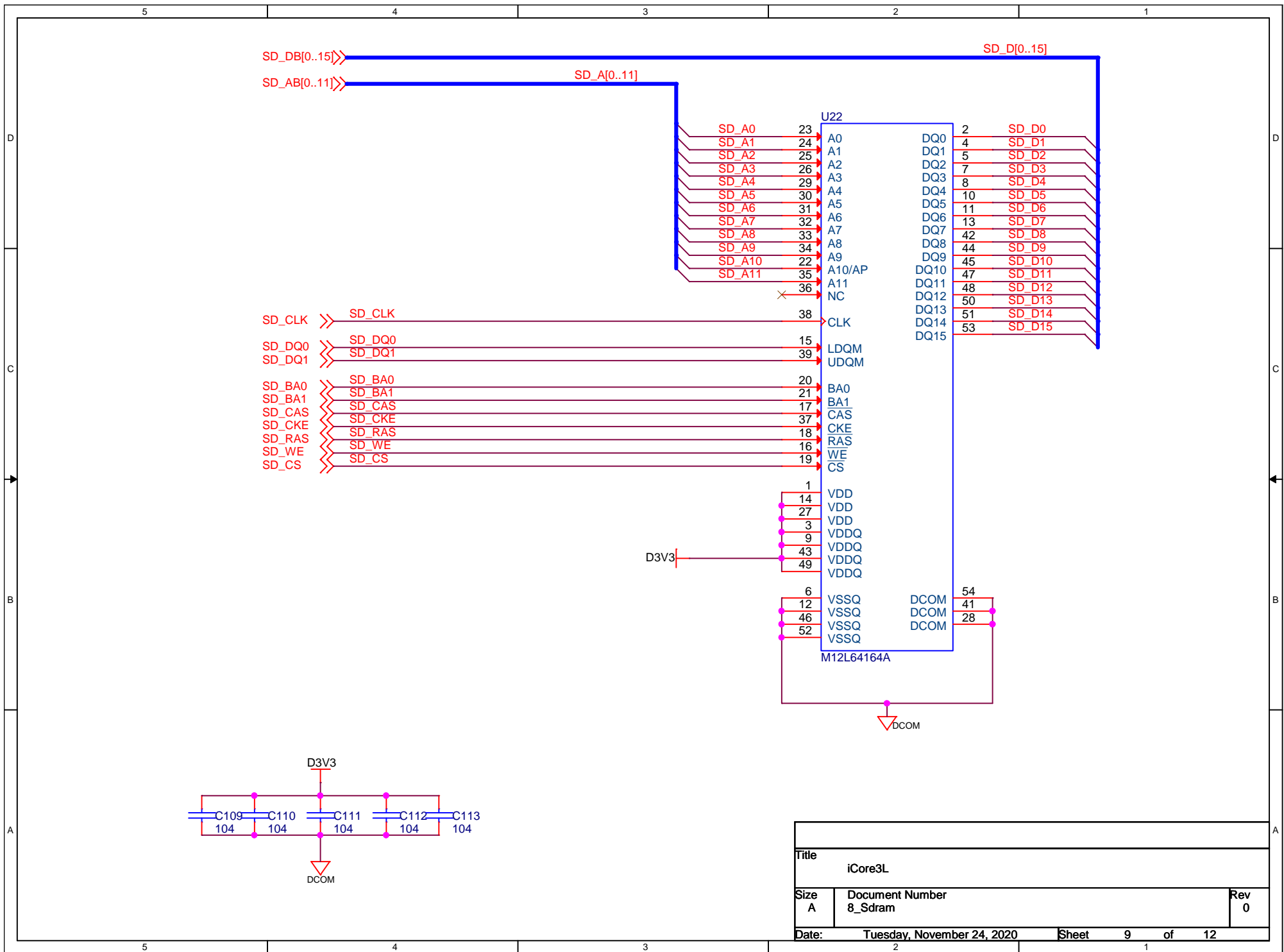
J12



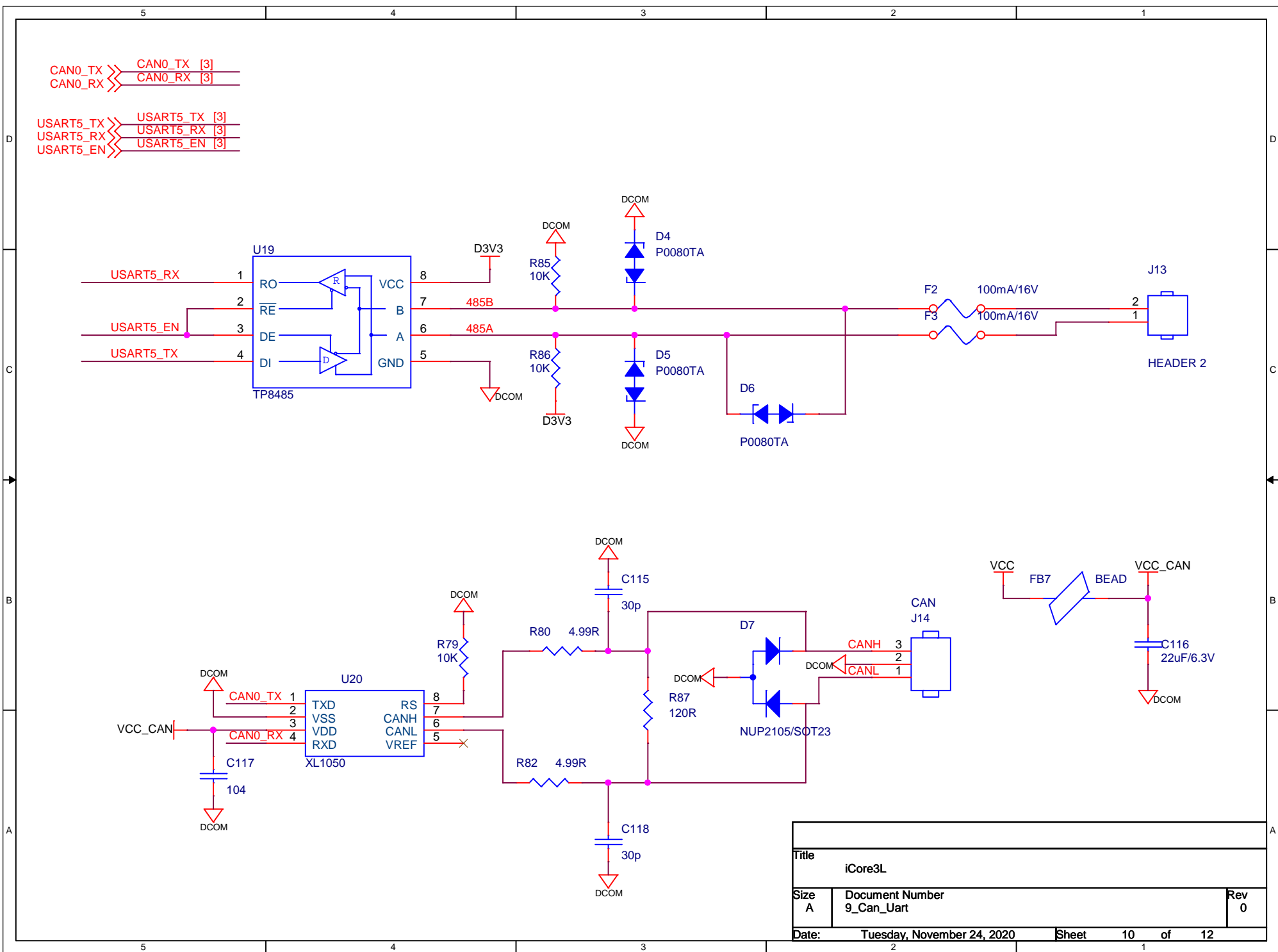
HEADER 32

Title		
iCore3L		
Size	Document Number	Rev
A	7_Lcd	0
Date:	Tuesday, November 24, 2020	Sheet 8 of 12





Title		
iCore3L		
Size	Document Number	Rev
A	8_Sdram	0
Date:	Tuesday, November 24, 2020	Sheet 9 of 12



Title		
iCore3L		
Size	Document Number	Rev
A	9_Can_Uart	0
Date:	Tuesday, November 24, 2020	Sheet 10 of 12

