

Block Diagram

REV	DATE	PAGES	DESCRIPTION
0	01/12/2018	ALL	Created

PAGES	DESCRIPTION
0	Title, Note, Block Diagram, Revision History
1	POWER
2	CLOCK
3	STM32
4	SDRAM
5	USB
6	ARM_LAN, FPGA_LAN
7	FPGA
8	DDR2
9	CONNECTOR
A	-----
B	-----
C	-----
D	-----
E	-----
F	-----
10	-----
11	-----
12	-----
13	-----

NOTES:

Engineer: -----

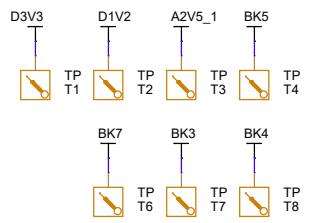
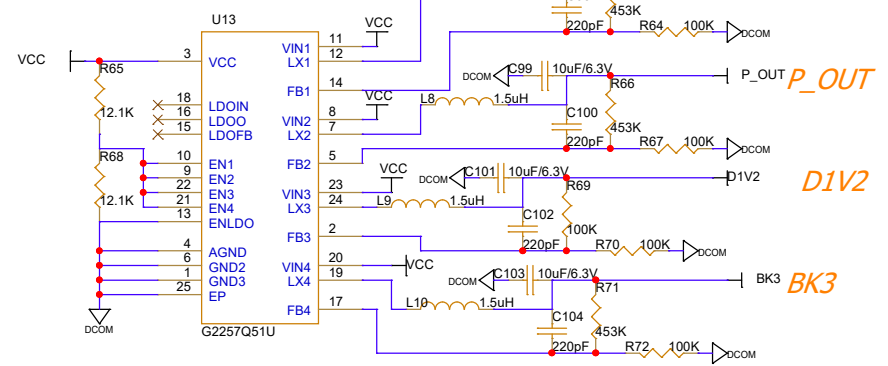
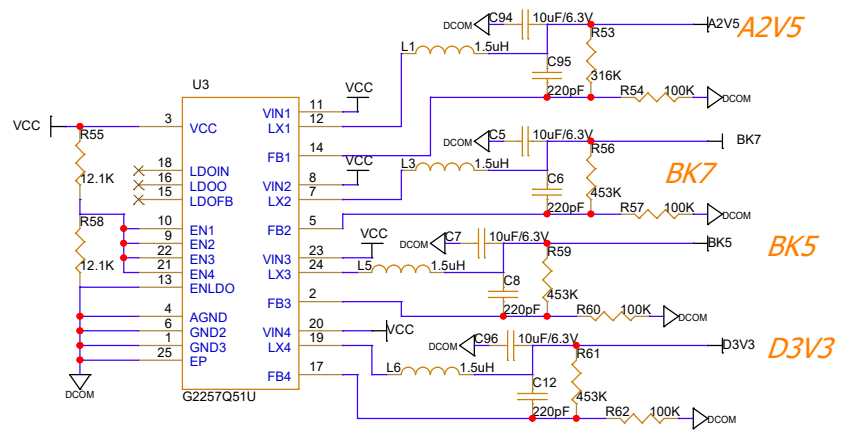
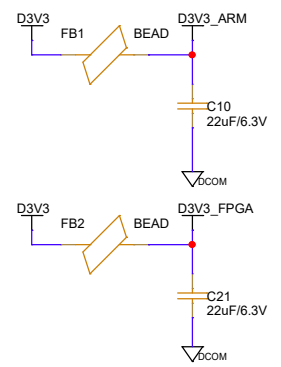
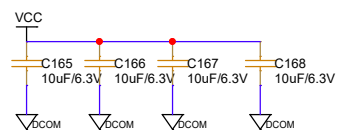
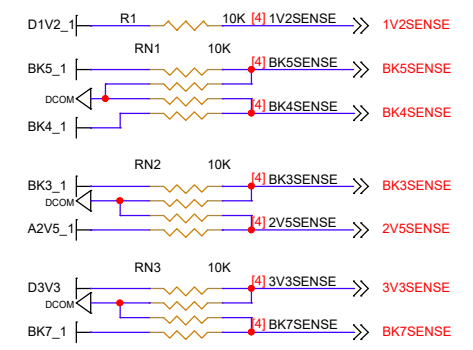
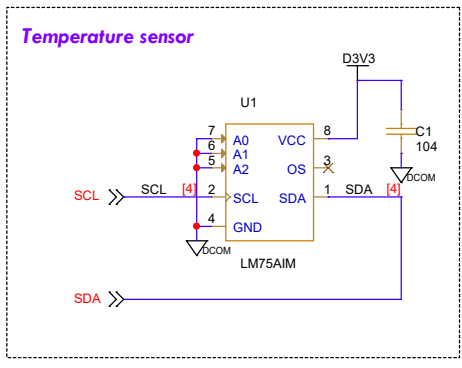
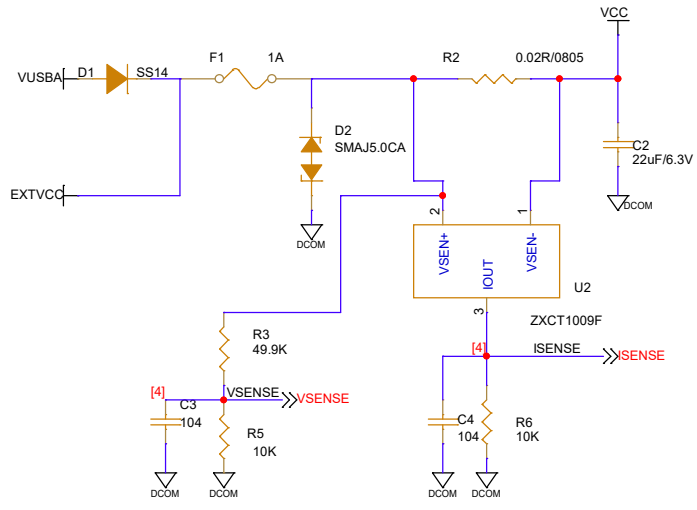
Engineer: -----

GINGKO

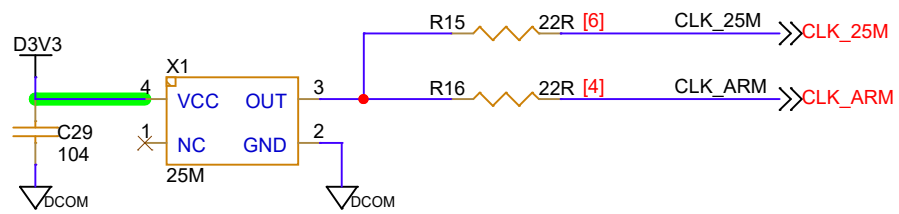
Title
iCore4T.REV0.20191207

Size B	Document Number <0>	Rev 0
-----------	------------------------	----------

Date: Saturday, December 07, 2019 Sheet 1 of 9



iCore4T @ GINGKO Co, Ltd.		
Title POWER		
Size B	Document Number <1>	Rev 0
Date:	Thursday, June 08, 2023	Sheet 2 of 9

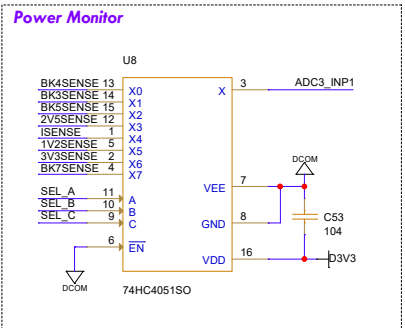
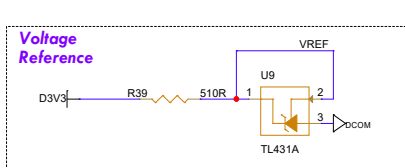
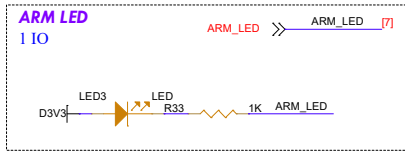
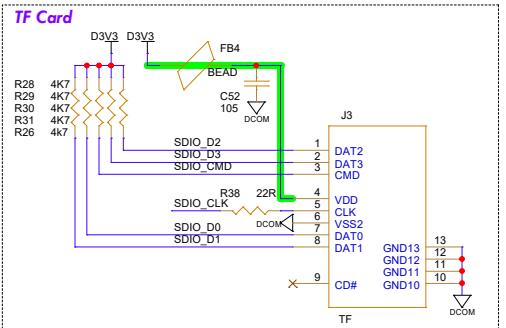
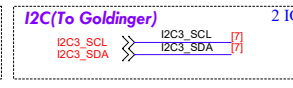
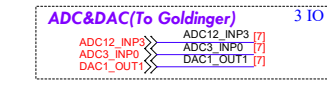
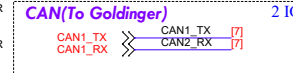
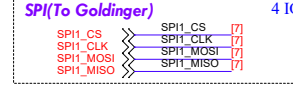
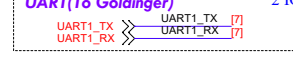
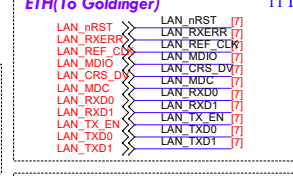
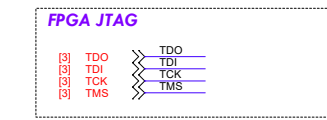
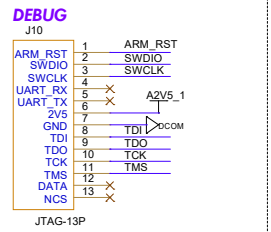
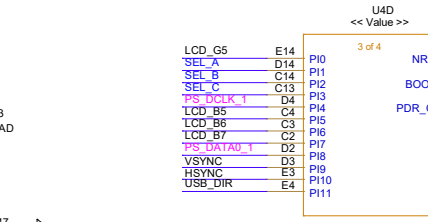
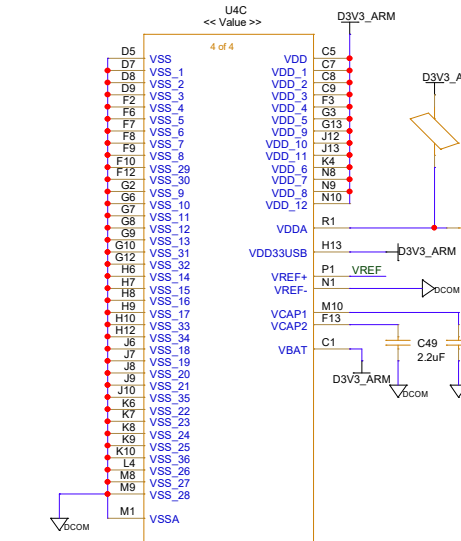
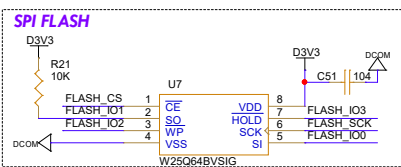
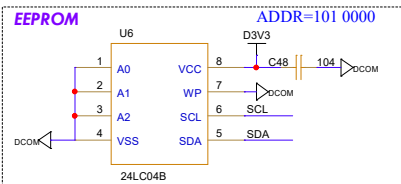
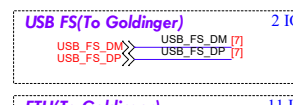
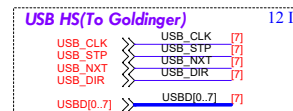
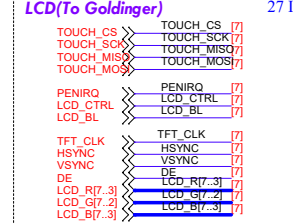
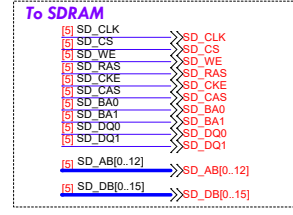
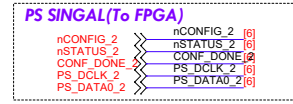
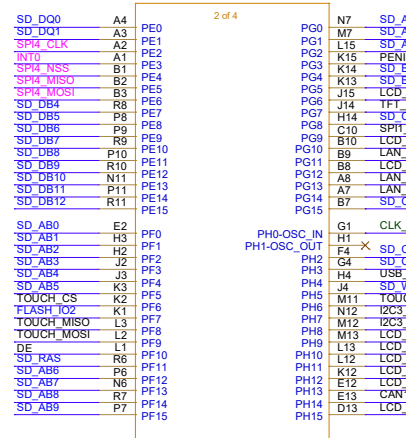
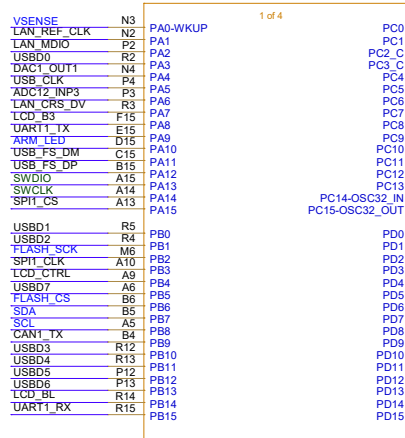
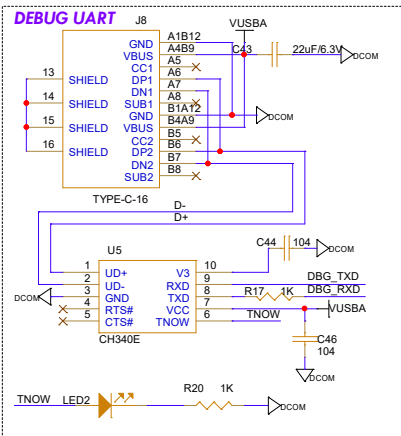
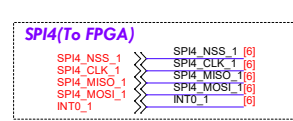
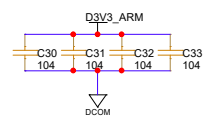
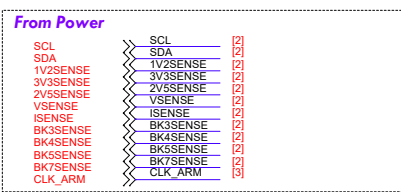


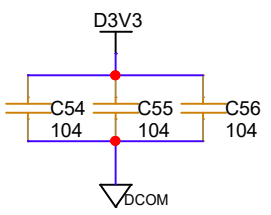
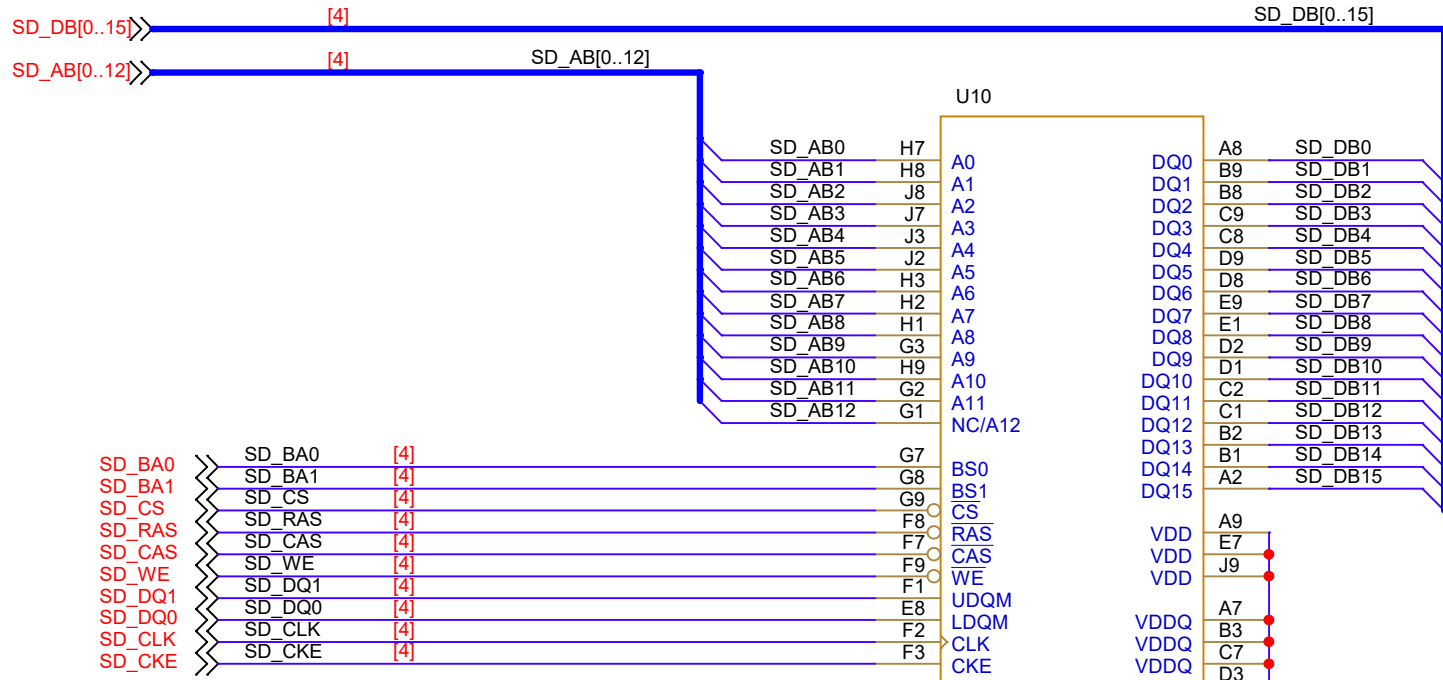
iCore4T @ GINGKO Co, Ltd.

Title
CLOCK

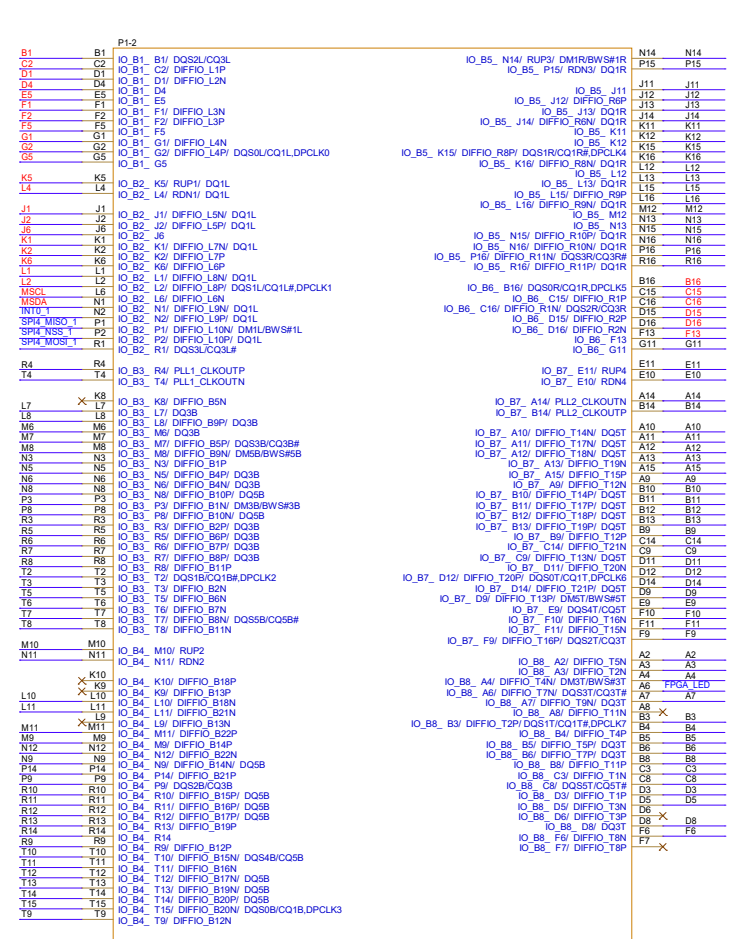
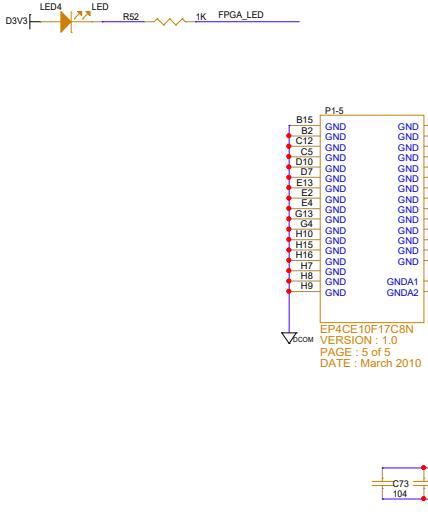
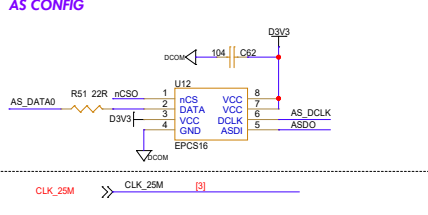
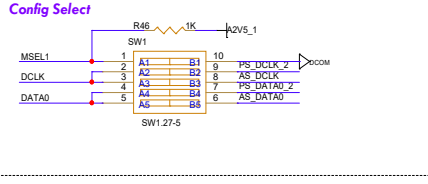
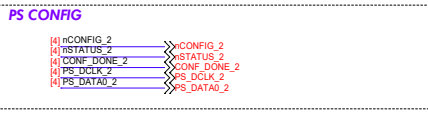
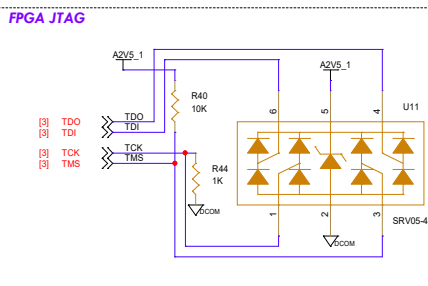
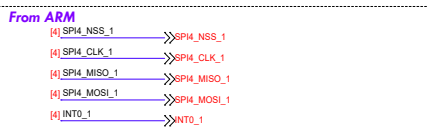
Size A	Document Number <2>	Rev 0
-----------	------------------------	----------

Date: Saturday, December 07, 2019 Sheet 3 of 9

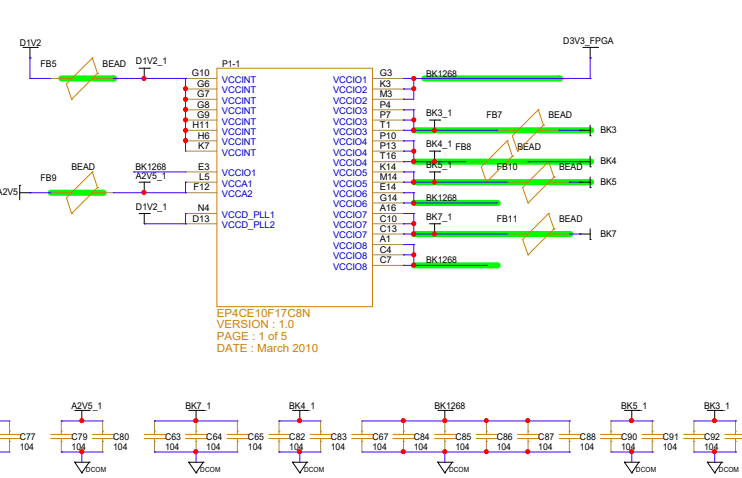




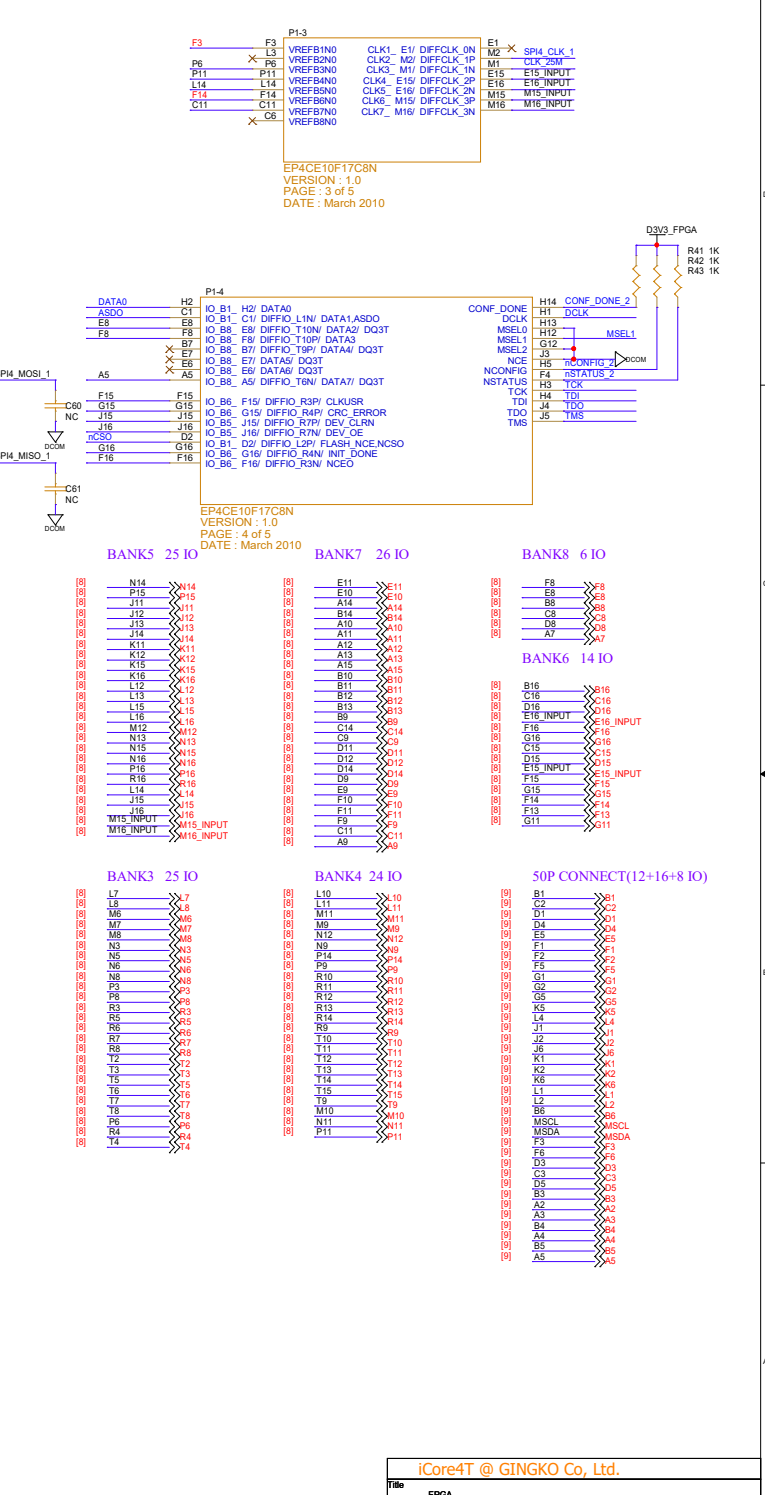
iCore4T @ GINGKO Co, Ltd.		
Title SDRAM		
Size A	Document Number <4>	Rev 0
Date:	Saturday, December 07, 2019	Sheet 5 of 9



EP4CE10F17C8N
VERSION : 1.0
PAGE : 2 of 5
DATE : March 2010



EP4CE10F17C8N
VERSION : 1.0
PAGE : 1 of 5
DATE : March 2010

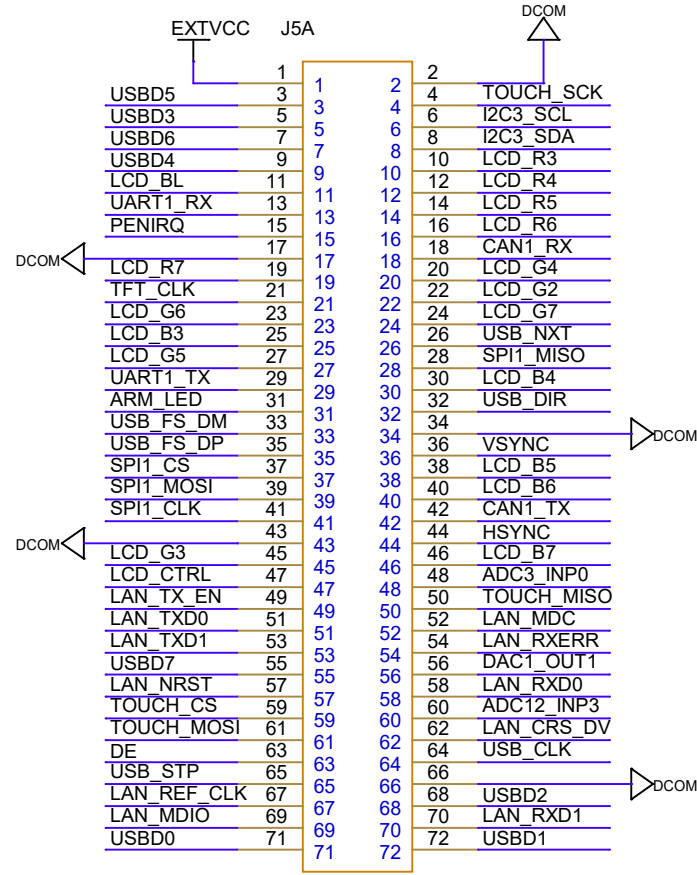


EP4CE10F17C8N
VERSION : 1.0
PAGE : 3 of 5
DATE : March 2010

EP4CE10F17C8N
VERSION : 1.0
PAGE : 4 of 5
DATE : March 2010

EP4CE10F17C8N
VERSION : 1.0
PAGE : 5 of 5
DATE : March 2010

I2C3_SCL [4]
 I2C3_SDA [4]
 UART1_RX [4]
 UART1_TX [4]
 SPI1_CS [4]
 SPI1_CLK [4]
 SPI1_MOSI [4]
 SPI1_MISO [4]
 CAN1_RX [4]
 CAN1_TX [4]
 USB_FS_DM [4]
 USB_FS_DP [4]
 USB_CLK [4]
 USB_STP [4]
 USB_NXT [4]
 USB_DIR [4]
 USBD[0..7] [4]
 LAN_nRST [4]
 LAN_RXERR [4]
 LAN_REF_CLK [4]
 LAN_MDIO [4]
 LAN_CRS_DV [4]
 LAN_MDC [4]
 LAN_RXD0 [4]
 LAN_RXD1 [4]
 LAN_TX_EN [4]
 LAN_TXD0 [4]
 LAN_TXD1 [4]
 TOUCH_CS [4]
 TOUCH_SCK [4]
 TOUCH_MISO [4]
 TOUCH_MOSI [4]
 PENIRQ [4]
 LCD_CTRL [4]
 LCD_BL [4]
 TFT_CLK [4]
 HSYNC [4]
 VSYNC [4]
 DE [4]
 LCD_R[7..3] [4]
 LCD_G[7..2] [4]
 LCD_B[7..3] [4]
 ADC12_INP3 [4]
 ADC3_INP0 [4]
 DAC1_OUT1 [4]
 ARM_LED [4]

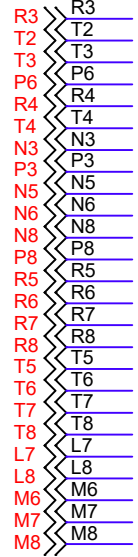


GOLDFINGER

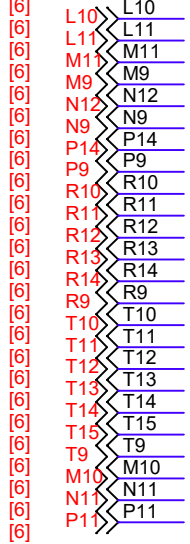
ARM IO 66

iCore4T @ GINGKO Co, Ltd.		
Title <Title>		
Size A	Document Number <6_A>	Rev 0
Date:	Saturday, December 07, 2019	Sheet 7 of 9

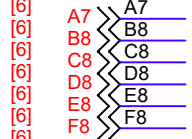
BANK3 25 IO



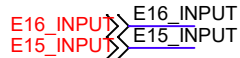
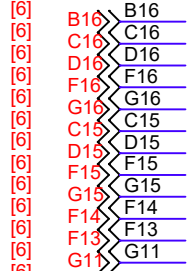
BANK4 24 IO



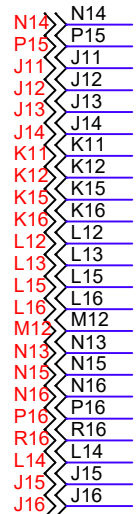
BANK8 6 IO



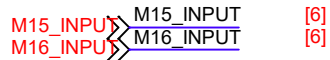
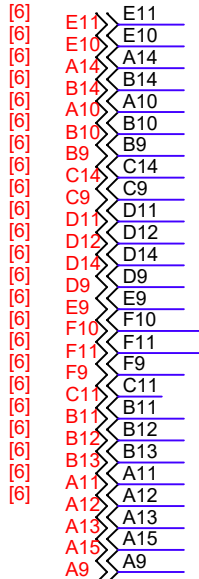
BANK6 14 IO



BANK5 25

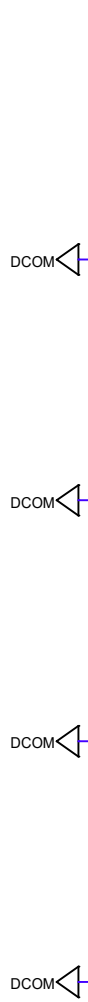


BANK7 26

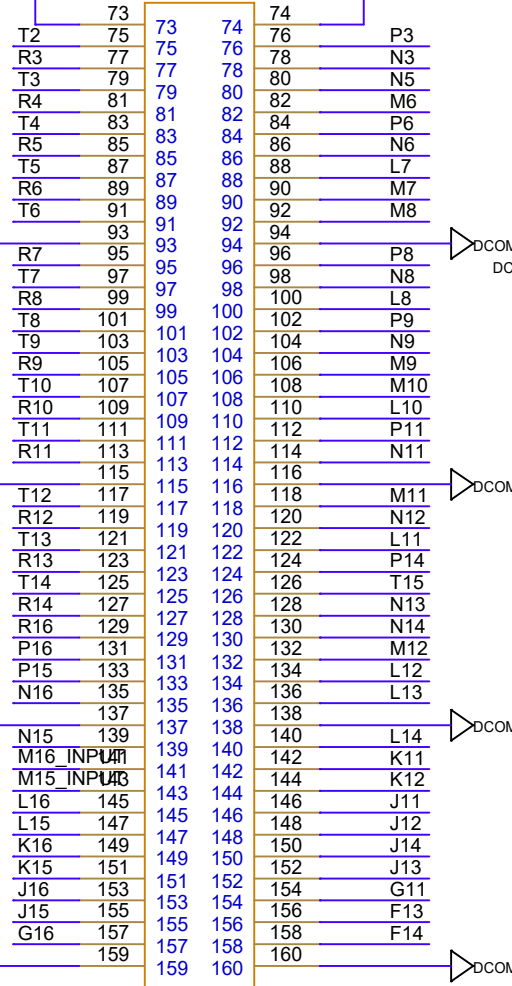


FPGA IO 120

P_OUT

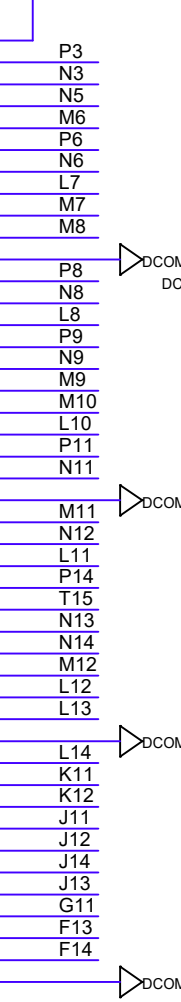


J5B

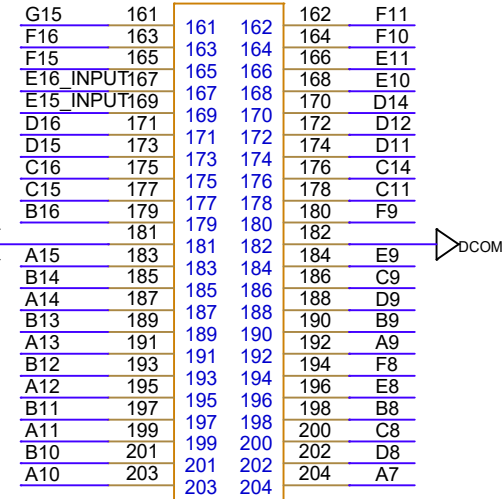


GOLDFINGER

DCOM



J5C

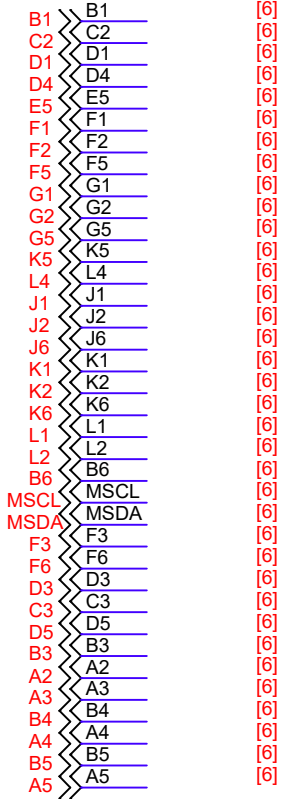


GOLDFINGER

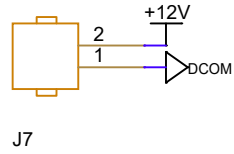
iCore4T @ GINGKO Co, Ltd.

Title		
<Title>		
Size	Document Number	Rev
A	<6_B>	0
Date:	Saturday, December 07, 2019	Sheet 8 of 9

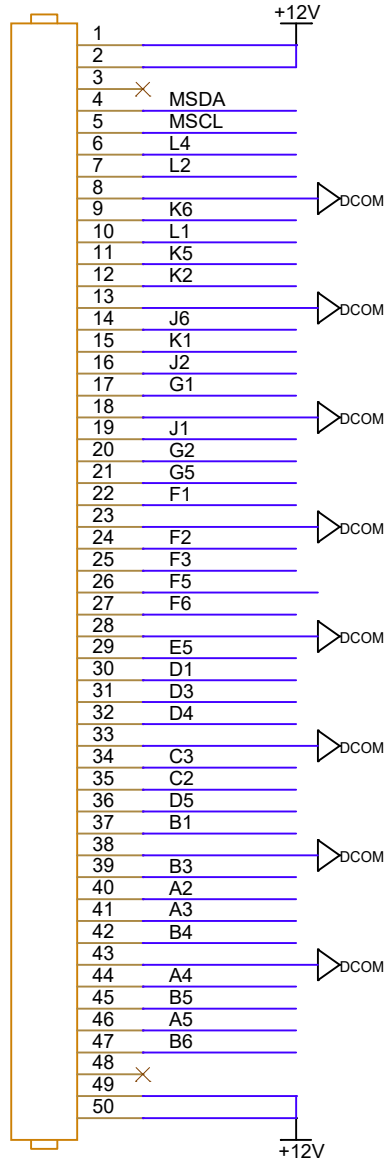
50P 36IO



HEADER 2



J6



HEADER 50

iCore4T @ GINGKO Co, Ltd.

Title		
<Title>		
Size	Document Number	Rev
A	<7>	<0>
Date:	Saturday, July 29, 2023	Sheet 9 of 9