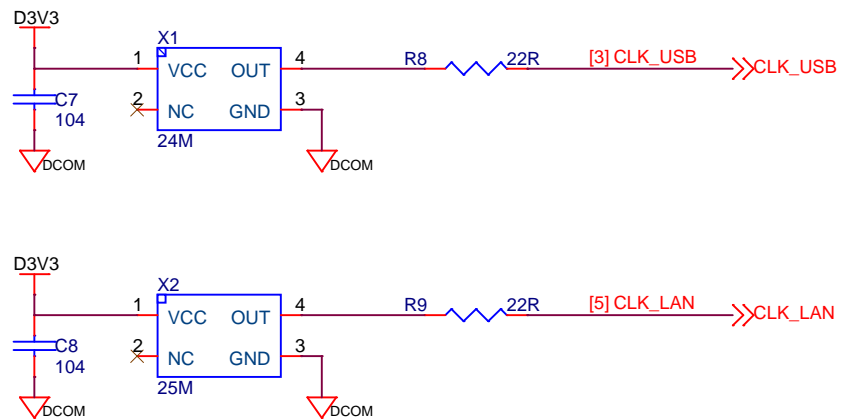
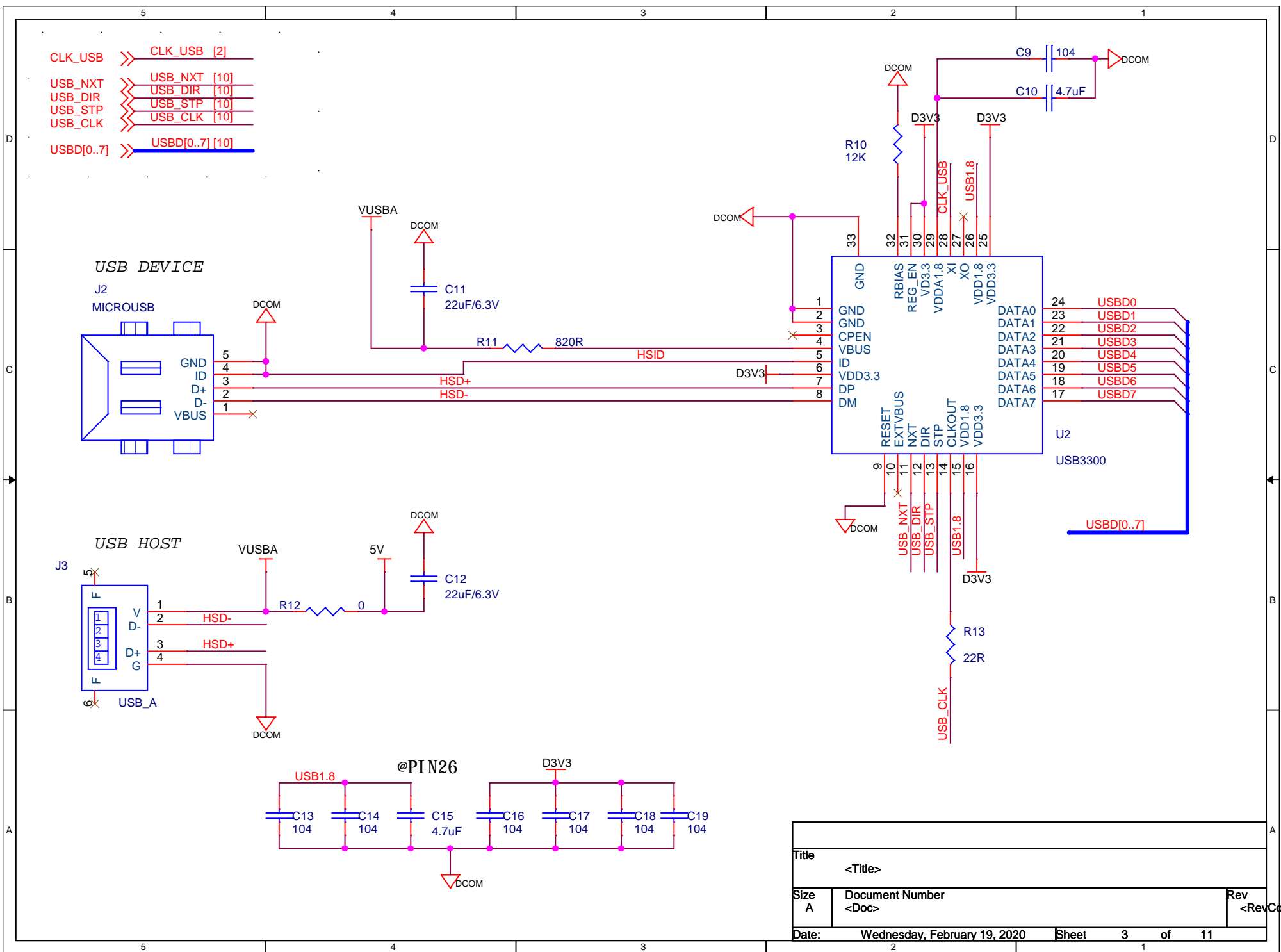


Title		
<Title>		
Size	Document Number	Rev
A	<Doc>	<RevCode>
Date:	Wednesday, July 01, 2020	Sheet 1 of 11

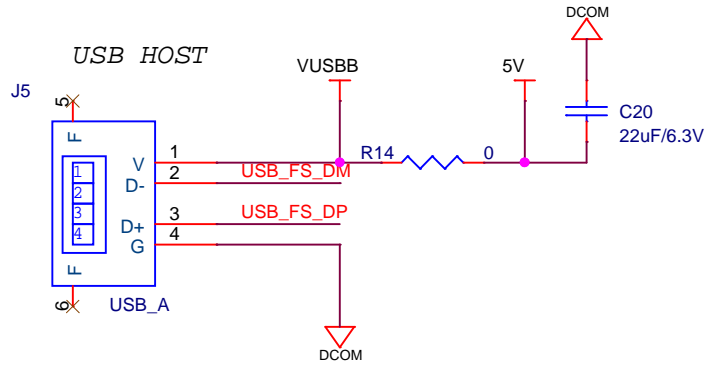
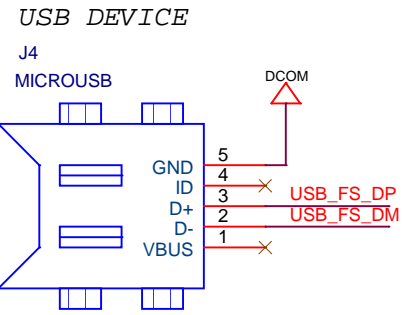


Title		
<Title>		
Size	Document Number	Rev
A	<Doc>	<RevCode>
Date: Wednesday, February 19, 2020		
Sheet 2 of 11		

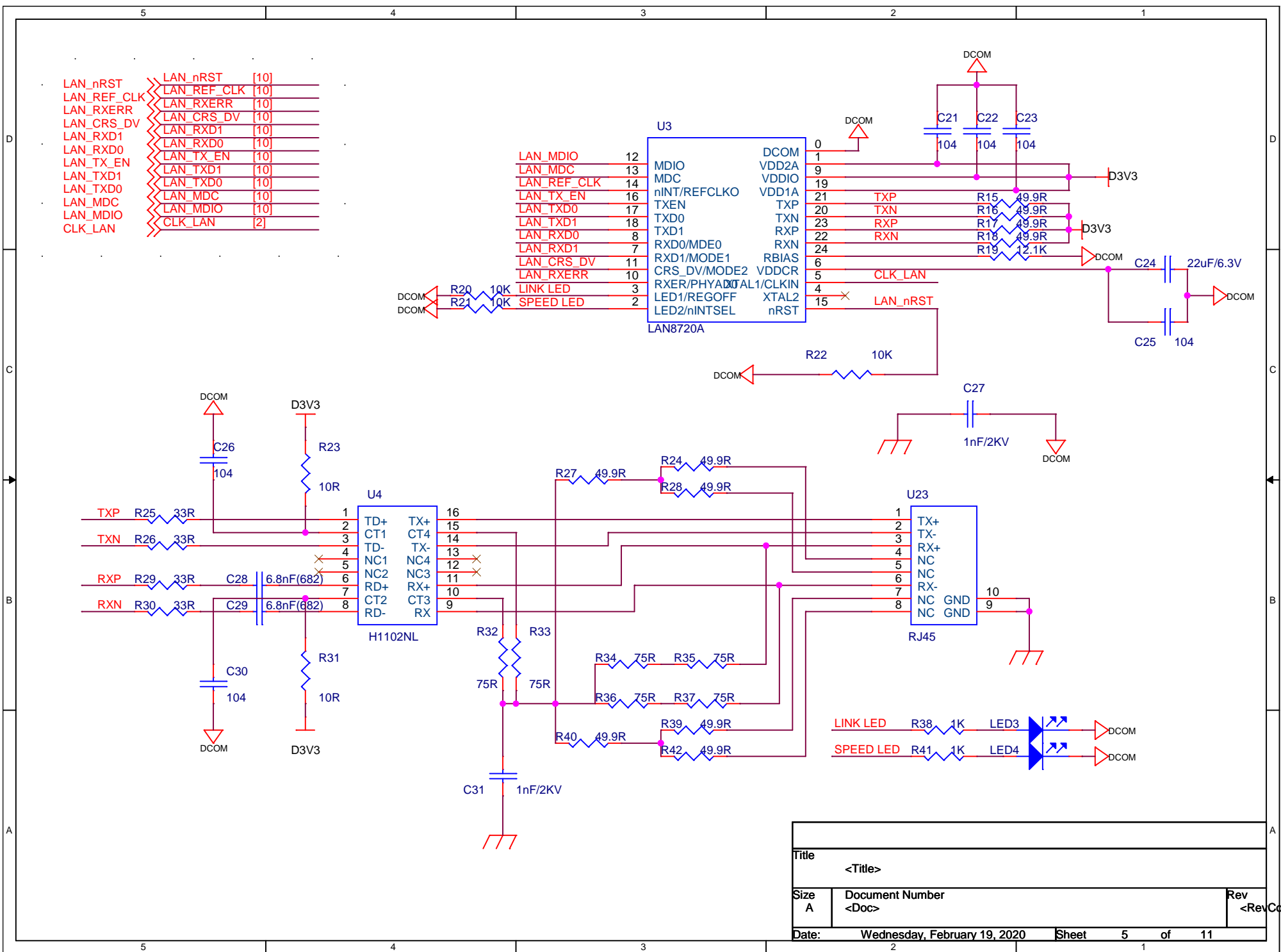


Title		
<Title>		
Size	Document Number	Rev
A	<Doc>	<RevCode>
Date:	Wednesday, February 19, 2020	Sheet 3 of 11

USB_FS_DP >> USB_FS_DP [10]
 USB_FS_DM >> USB_FS_DM [10]



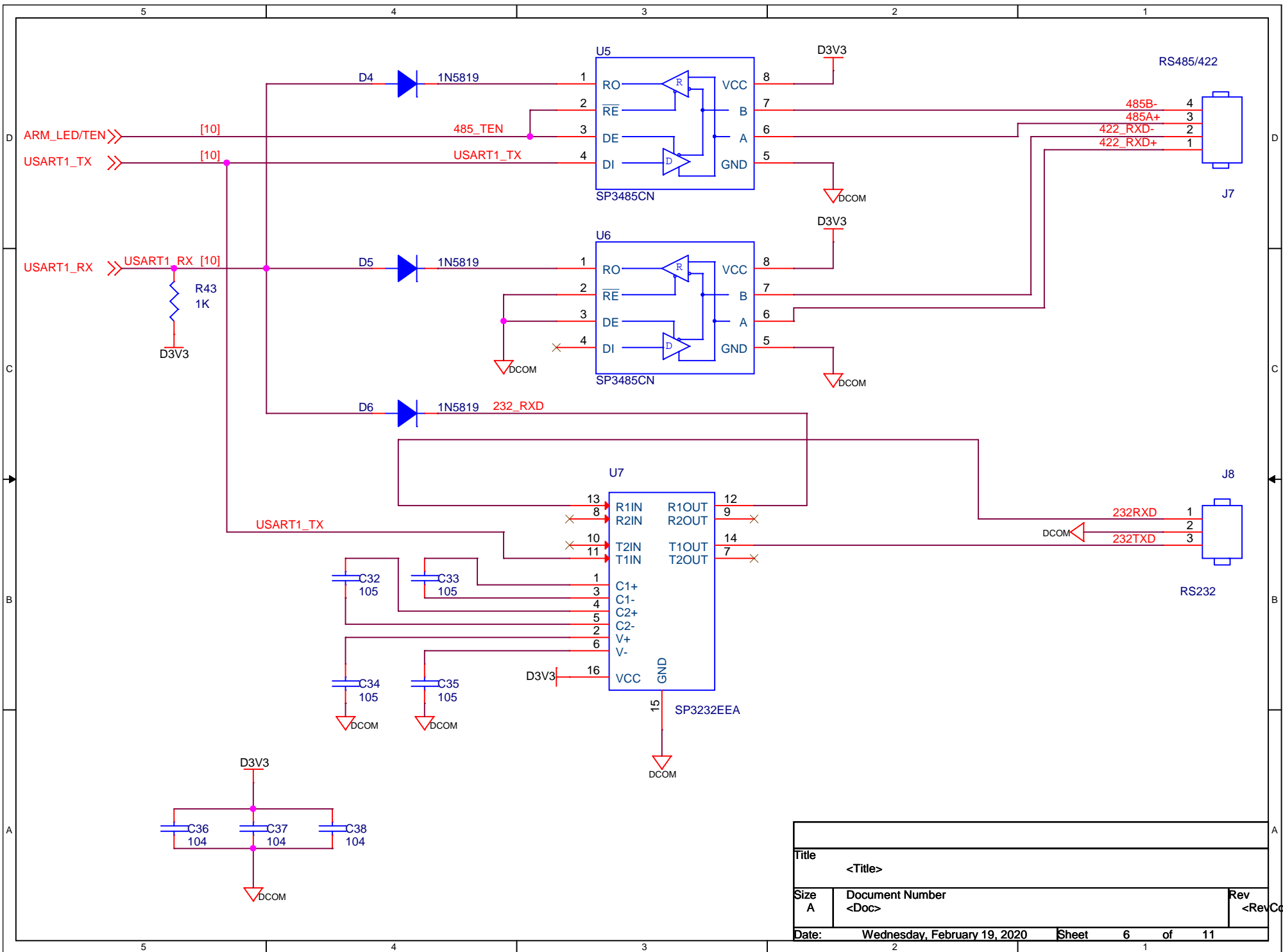
Title		
<Title>		
Size	Document Number	Rev
A	<Doc>	<RevCode>
Date: Wednesday, February 19, 2020		
Sheet 4 of 11		



LAN_nRST	LAN_nRST	[10]
LAN_REF_CLK	LAN_REF_CLK	[10]
LAN_RXERR	LAN_RXERR	[10]
LAN_CRSDV	LAN_CRSDV	[10]
LAN_RXD1	LAN_RXD1	[10]
LAN_RXD0	LAN_RXD0	[10]
LAN_TX_EN	LAN_TX_EN	[10]
LAN_TXD1	LAN_TXD1	[10]
LAN_TXD0	LAN_TXD0	[10]
LAN_MDC	LAN_MDC	[10]
LAN_MDIO	LAN_MDIO	[10]
CLK_LAN	CLK_LAN	[2]

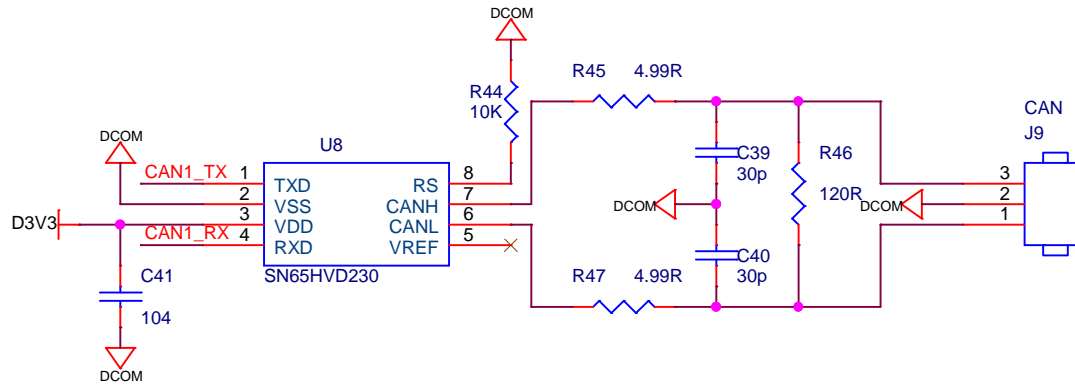
LAN_MDIO	12	MDIO	0
LAN_MDC	13	MDC	1
LAN_REF_CLK	14	VDD2A	9
LAN_TX_EN	16	VDDIO	19
LAN_TXD0	17	nINT/REFCLKO	21
LAN_TXD1	18	TXP	20
LAN_RXD0	8	TXN	23
LAN_RXD1	7	RXP	22
LAN_CRSDV	11	RXN	24
LAN_RXERR	10	RXD0/MDE0	6
LINK_LED	3	RXD1/MODE1	5
SPEED_LED	2	RBIAS	4
		CRSDV/MODE2	3
		RXER/PHYAD0	2
		LED1/REGOFF	1
		LED2/nINTSEL	15
		XTAL1	
		XTAL2	
		nRST	

Title		
<Title>		
Size	Document Number	Rev
A	<Doc>	<RevCode>
Date:	Wednesday, February 19, 2020	Sheet 5 of 11



Title		
<Title>		
Size	Document Number	Rev
A	<Doc>	<RevCode>
Date:	Wednesday, February 19, 2020	Sheet 6 of 11

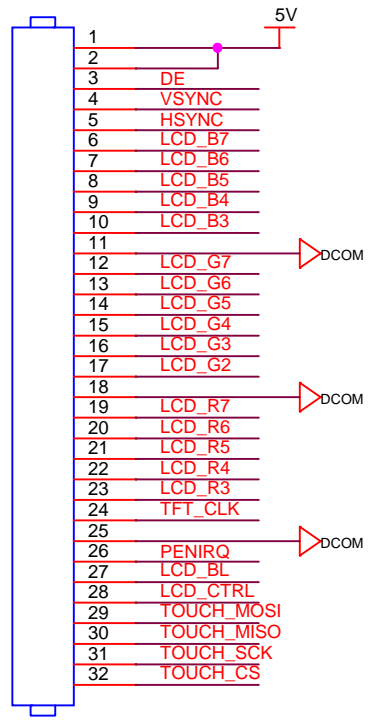
CAN1_TX [10]
 CAN1_RX [10]



Title		
<Title>		
Size	Document Number	Rev
A	<Doc>	<RevCode>
Date:	Wednesday, February 19, 2020	Sheet 7 of 11

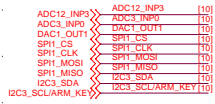
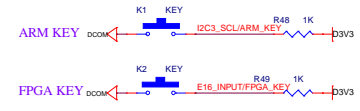
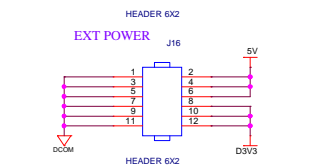
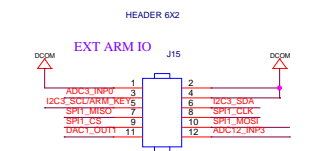
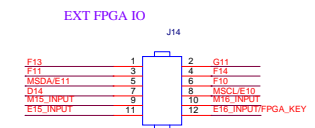
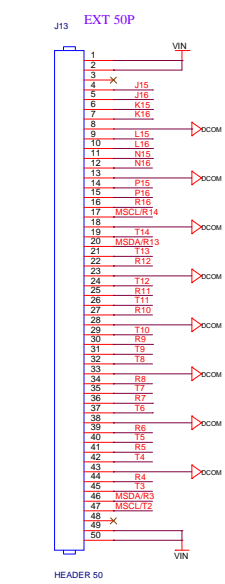
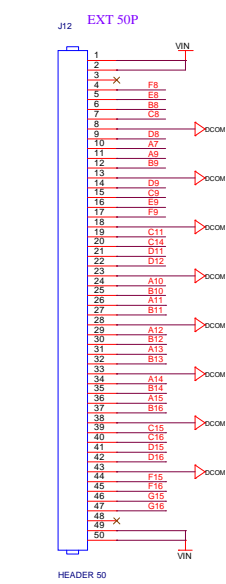
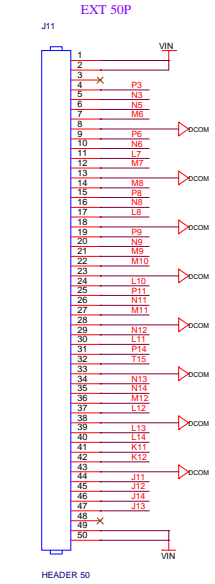
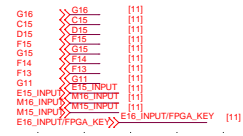
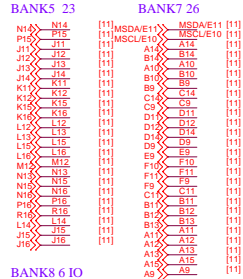
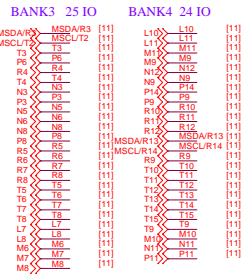
TOUCH_CS [10]
 TOUCH_SCK [10]
 TOUCH_MISO [10]
 TOUCH_MOSI [10]
 PENIRQ [10]
 LCD_CTRL [10]
 LCD_BL [10]
 TFT_CLK [10]
 HSYNC [10]
 VSYNC [10]
 DE [10]
 LCD_R[7..3] [10]
 LCD_G[7..2] [10]
 LCD_B[7..3] [10]

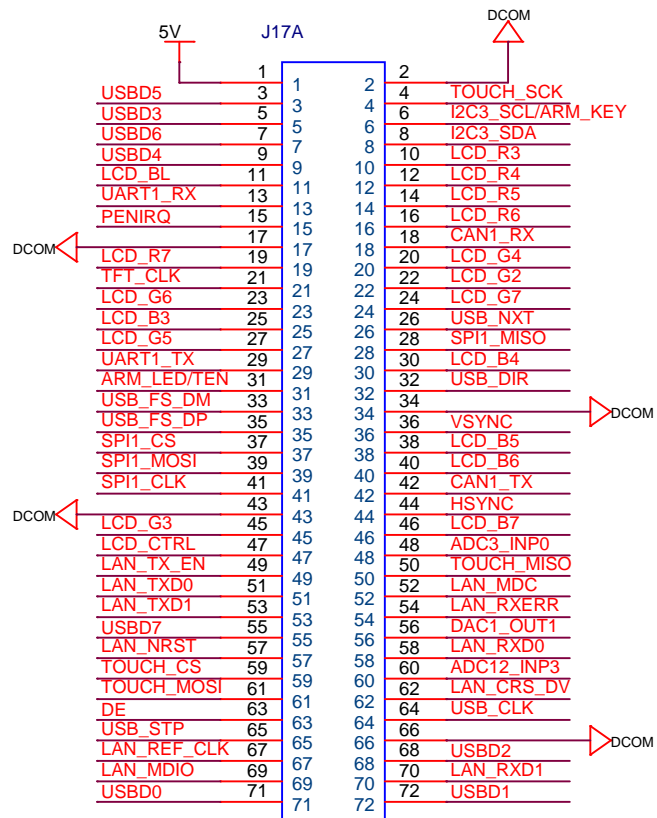
J10



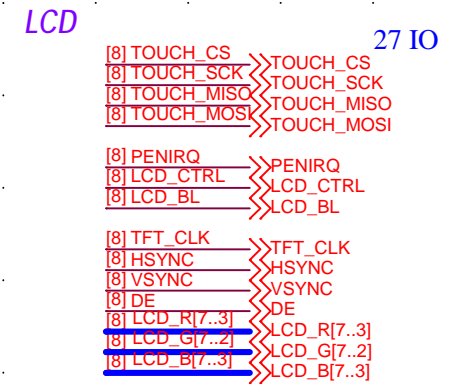
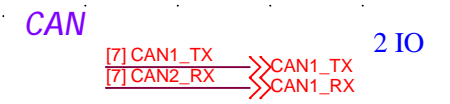
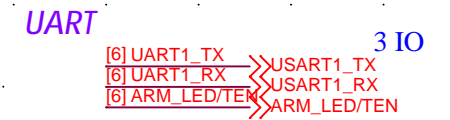
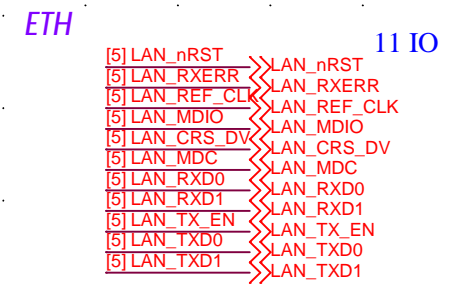
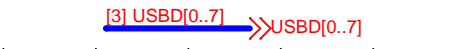
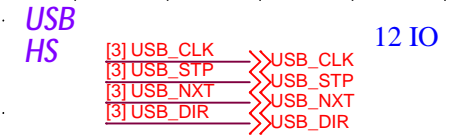
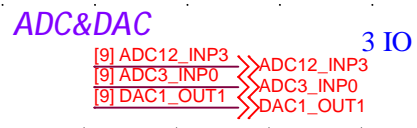
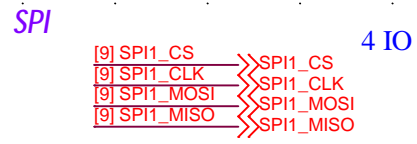
HEADER 32

Title		
<Title>		
Size	Document Number	Rev
A	<Doc>	<RevCode>
Date: Wednesday, February 19, 2020		
Sheet 8		of 11

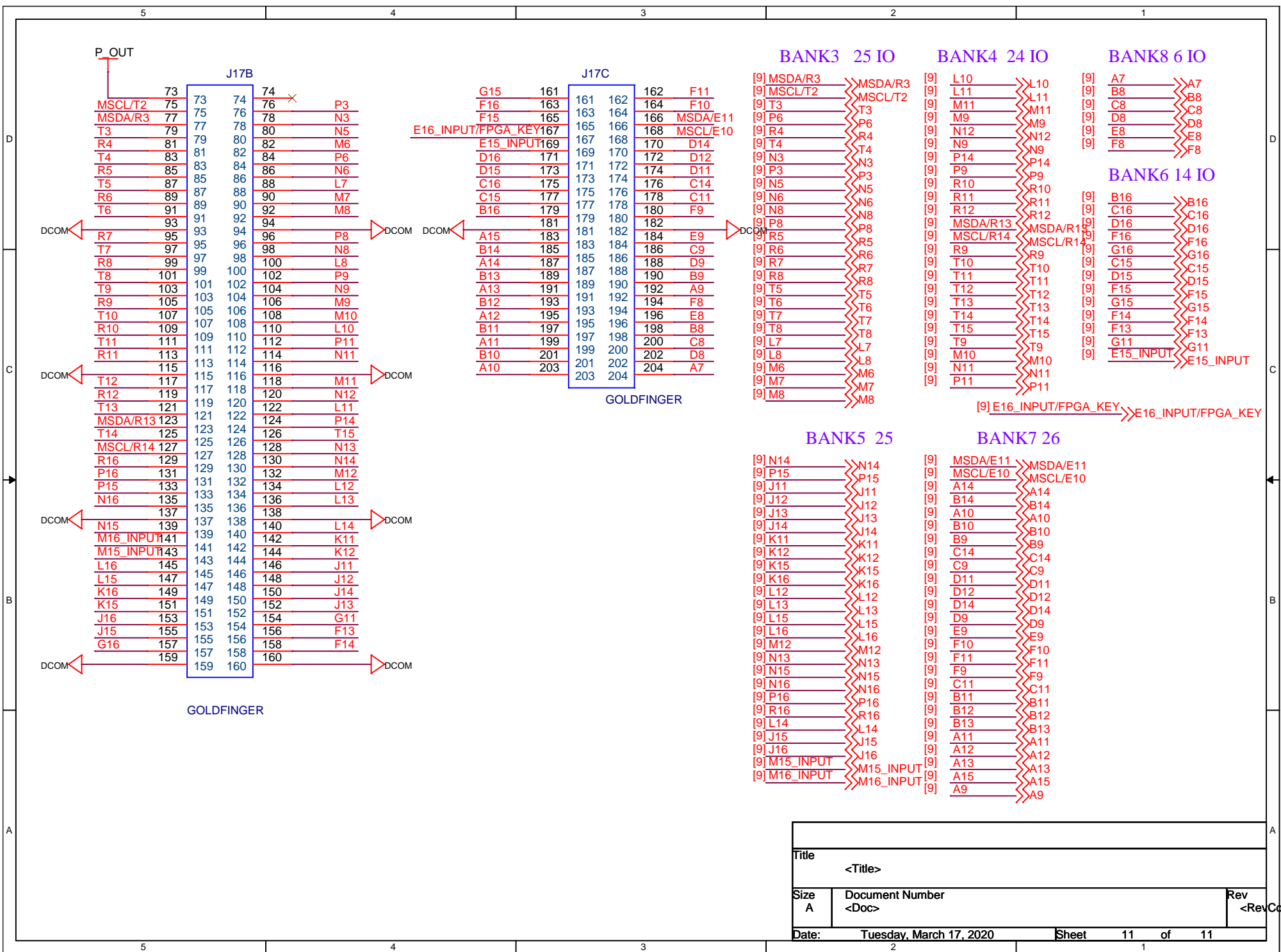




GOLDFINGER



Title		
<Title>		
Size	Document Number	Rev
A	<Doc>	<RevCode>
Date:	Wednesday, February 19, 2020	Sheet 10 of 11



Title		
<Title>		
Size	Document Number	Rev
A	<Doc>	<RevCode>
Date:	Tuesday, March 17, 2020	Sheet 11 of 11